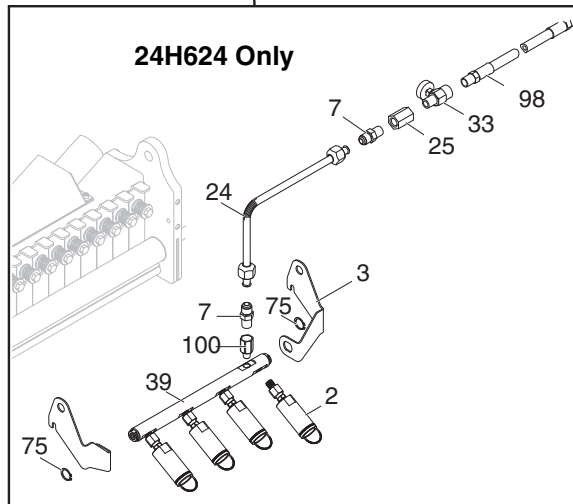
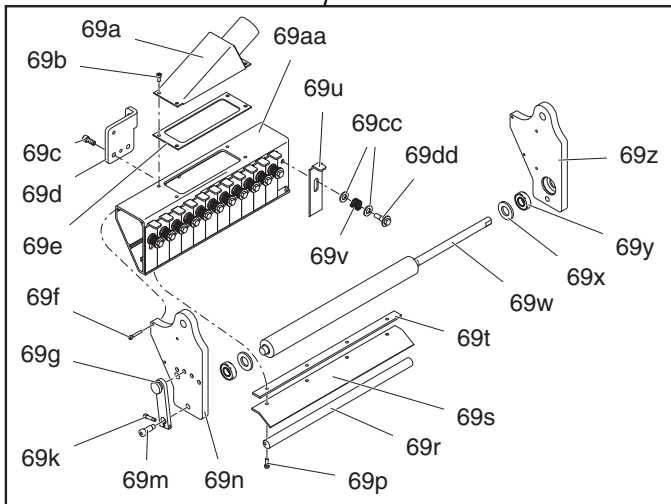
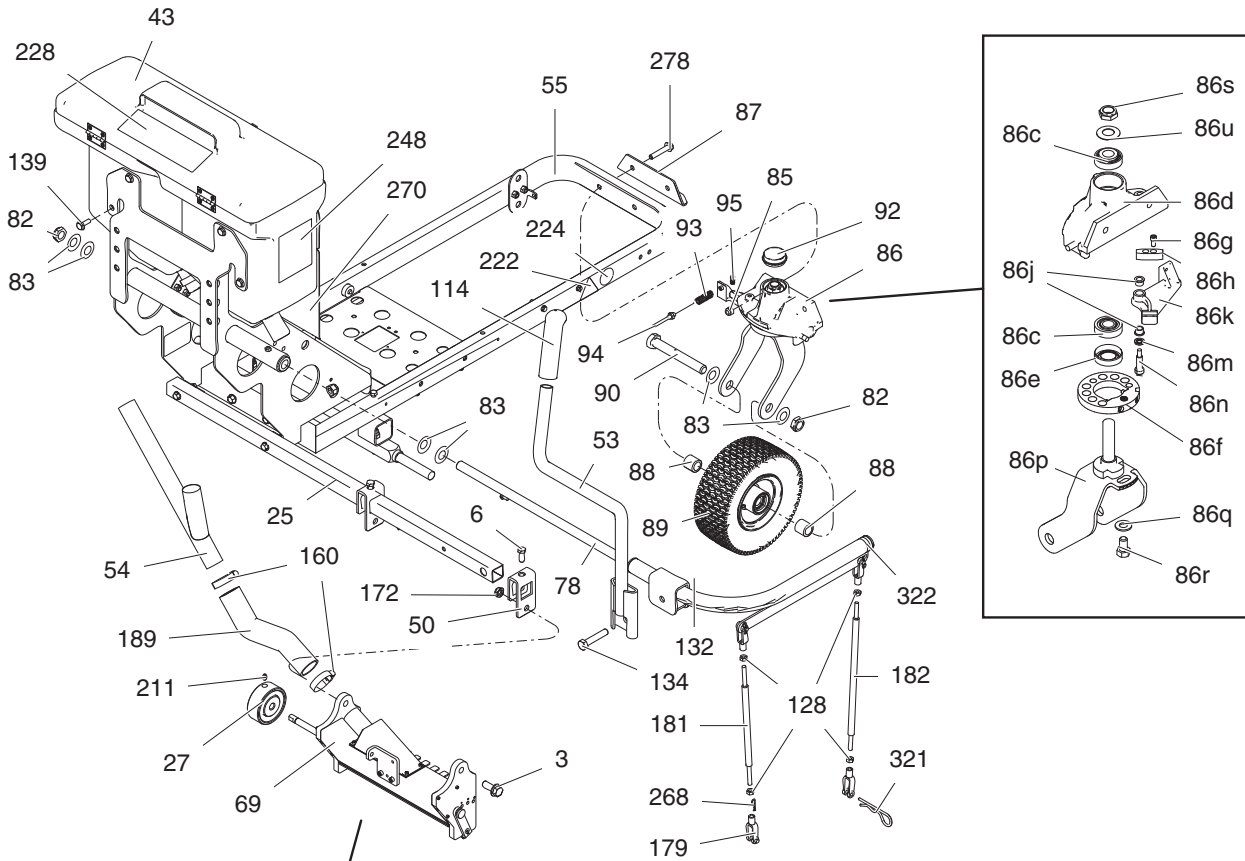


# Parts - ProMelt (Model 24H624)



ti17085d

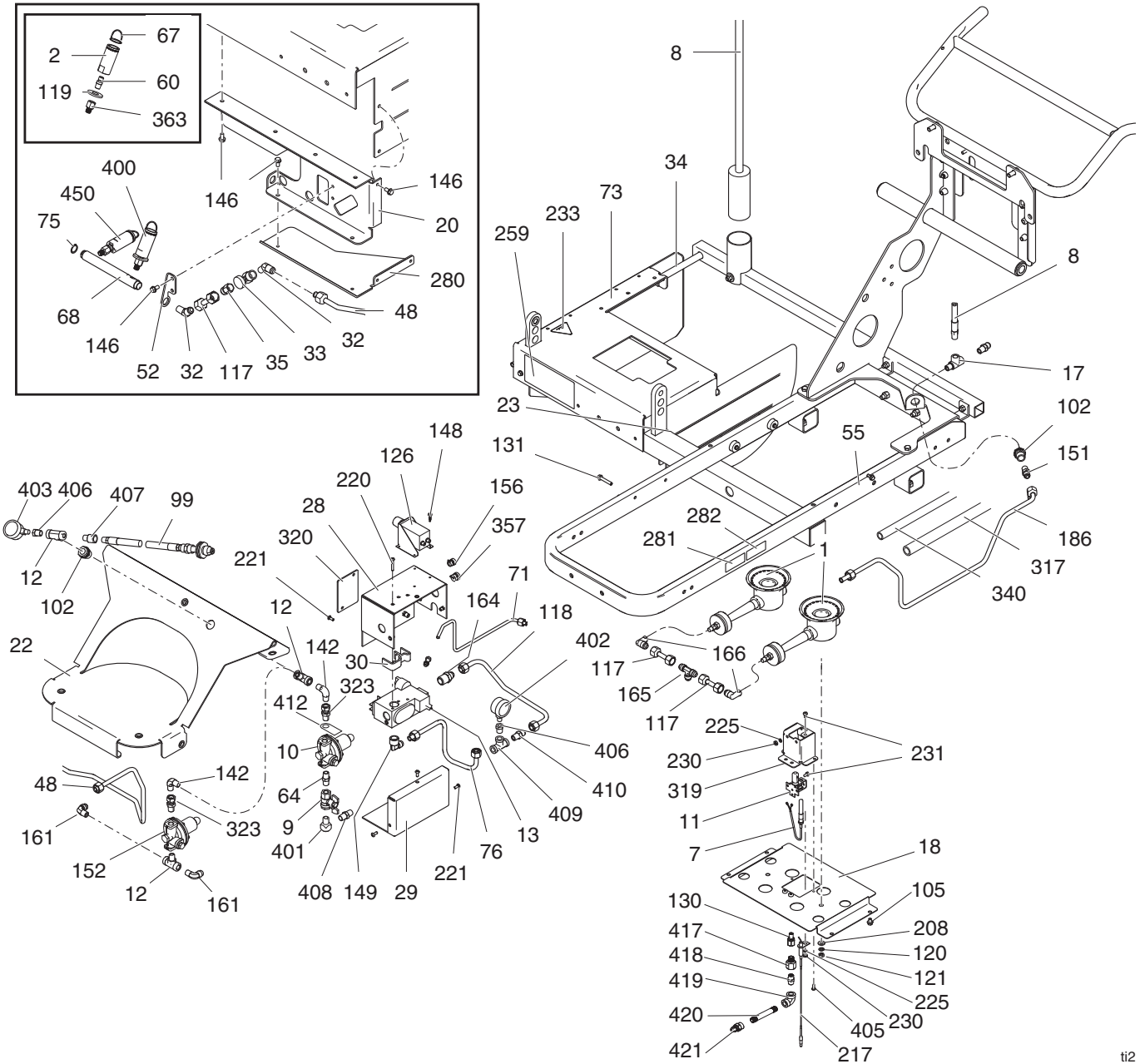
ti17085d

## Parts List - ProMelt (Model 24H624)

Ref.	Part	Description	Qty.	Ref.	Part	Description	Qty.
2	24J570	KIT, repair, torch head, die	7	86p	17H485	SHAFT, fork	1
3	111195	SCREW, cap, flng HD	2	86q	113962	WASHER, hardened, SAE	1
6	100101	SCREW, cap, hex HD	2	86r	114681	SCREW, cap, hex HD	1
25	15X377	TUBE, support, beadbox	1	86s	112405	NUT, lock	1
27	15X765	WHEEL, drive, bead	1	86u	112825	SPRING, belleville	2
33	125064	VALVE, needle, gas, 1/4 npt	2	87	240991	BRACKET, caster, front	1
39	24J578	KIT, repair, manifold, rear	1	88	193658	NUT, seal	2
43	24J865	KIT, replacement, bead hopper (includes 228, 248, 264)	1	89	114549	WHEEL, pneumatic	1
50	257399	CLAMP, beadbox	2	90	113471	SCREW, cap, hex HD	1
53	257455	HANDLE, lift, die/bead dispenser	1	92	114648	CAP, dust	3
54	257617	CONNECTOR, bead box hose	1	93	114682	SPRING, compression	1
55	24J586	KIT, repair, frame, (includes 222, 224)	1	94	241445	KIT, cable	1
69	24R144	BOX,bead,12",with 1" gages	1	95	114802	STOP, wire	1
69a	257378	MANIFOLD, assembly	1	98	16Y249	HOSE, torch, rear	1
69b	112788	SCREW, cap, sockethead	4	100	159840	ADAPTER	1
69c	121112	SCREW, cap, sockethead	2	104	16H192	BRACKET, support, manifold, rear, left	1
69d	16U614	BRACKET, beadbox, linkage	1	109	16H107	BRACKET, support, manifold, rear, right	1
69e	16A243	GASKET, foam	1	114	114659	GRIP, handle	5
69f	110631	SCREW, sockethead	8	115	101550	SCREW, cap, sch	4
69g	24J866	HANDLE, adjuster, bead	1	128	100187	NUT	4
69k	295709	SCREW, cap, sockethead	1	132	801020	NUT, lock	1
69m	123481	SCREW, shoulder, screw, 1/4-20	2	134	114766	BOLT, cap hex head	1
69n	16H292	BRACKET, right, bead dispenser	1	139	111192	SCREW, cap flang HD	25
69p	112310	SCREW, cap, sch	4	151	118484	FITTING, connector	4
69r	15X281	ADJUSTER	1	160	116789	CLAMP, hose	6
69s	15X274	GATE, poly	1	172	119547	NUT, hex, lock, nylon, thin	2
69t	15X275	GATE, bar	1	179	15V415	CLEVIS	4
69u	16U612	PLATE, slide1"	12	181	16A041	SHAFT, threaded	1
69v	114708	SPRING, compression	12	182	16H291	SHAFT, threaded	1
69w	24C672	SHAFT, bead assembly kit	1	189	16A100	HOSE, bead	3
69x	114797	GASKET	2	211	100664	SCREW, set, sch	1
69y	123304	BEARING, double sealed	2	222▲	16A274	LABEL, ISO explosion	1
69z	16H293	BRACKET, left, bead dispenser	1	224	15Y963	LABEL, kettle burners lighting	1
69aa	16U613	HOUSING, dispenser 12",12 holes	1	228▲	16A276	LABEL, ISO symbols warn & instru	1
69cc	104034	WASHER, plain	24	248	16E335	LABEL, brand, Graco	2
69dd	119872	SCREW, shoulder	12	264▲	15Y966	LABEL, fire and explosion	1
75	113958	RING, retaining, external	3	268	120592	PIN, cotter, hairpin	3
78	15W873	ARM, die/bead dispenser	1	270	16F660	SHIELD, heat, rear, ProMelt	1
82	112405	NUT, lock	6	278	114982	SCREW, cap, flng HD	6
83	112825	SPRING, belleville	10	299	24H619	KIT, accessory, rear torch (includes 2, 98, 151, 33, 115, 104, 70, 60, 67, 109, 75, 39, 100, 112, 372, 373)	1
85	101566	NUT, lock	7				
86	24H246	CASTER, ProMelt, blue	1				
86c	113485	BEARING, cup/cone	2	321	123385	PIN, cotter, hairpin	2
86d	15G952	CASTER, machine	1	322	112853	PLUG, tubing	1
86e	113484	SEAL, grease	1	372	113093	CONNECTOR, pipe	1
86f	17H486	DISK, adjuster	1	373	16Y844	TUBE, formed, gas	1
86g	110754	SCREW, cap, sch	2	374	16Y885	KIT, rear die hose (includes 33, 98, 100, 151, 373)	1
86h	193662	STOP, wedge	1				
86j	114548	BEARING, bronze	2				
86k	193528	ARM, detent	1				
86m	15J603	SPACER, round, .625 in.	1				
86n	120476	BOLT, shoulder, 5/16	1				

▲ Replacement Danger and Warning labels, tags, and cards are available at no cost.

# Parts - ProMelt (Model 24H624)



ti2

## Parts List - ProMelt (Model 24H624)

Ref.	Part	Description	Qty.	Ref.	Part	Description	Qty.
1	24C394	KIT, replacement, burner (Series A, B and C Models)	2	149	118458	FITTING, elbow, male	1
	*16Y284	RING, burner (Series D Models only)	2	151	118484	FITTING, connector	4
2	24J570	KIT, repair, torch head, die (includes 67)	7	152**	24L884	KIT, REGULATOR, LP gas, 20 psi	1
7*‡	122944	FITTING, Thermopile	1	156	119545	BUSHING, strain, relief	2
8	125032	TOOL, torch	1	161	100840	FITTING, flared, 1/4 pipe, 90 elbow	2
9	122946	VALVE, shut off	1	164	123157	FITTING, flared, 1/2 pipe, adapter	1
10	**24L883	KIT, REGULATOR, LP gas, 5 psi (Series A, B and C Models only)	1	165*	123158	FITTING, flared, 3/8 tube, tee	1
	*16Y705	KIT, regulator, LP gas, 3 psi (Series D Model)	1	166*	125241	FITTING, flared, 1/8 npt x 90 elbow	2
11*	24T749	KIT, repair, pilot, (includes 130)	1	186	16F282	TUBE, formed, gas	1
12	108638	TEE, male	2	208*	110755	WASHER, plain	2
13	16F638	KIT, repair, valve, gas, (includes 71, 149, 164)	1	217*‡	127255	ELECTRODE	1
17	106228	FITTING, tee, street	1	220	111235	SCREW, mach, pnh	3
18*	16J484	PLATE, mount, burner	1	221	116610	SCREW, mach, phil, pan, #10	9
20	16H105	BRACKET, support, burner, front	1	225*‡	100020	WASHER, lock	3
22	16F641	BRACKET, support, tank, propane	1	230*‡	100179	NUT, hex mscr	3
23	15W735	ARM, chamber, die	1	231*‡	110637	SCREW, mach, panhead	6
28	24F695	ENCLOSURE, valve	1	233▲	16D646	LABEL, ISO, hot surfaces	5
29	16F642	COVER, enclosure, valve box	1	259	16J470	LABEL, front burner lighting	1
30	16A708	BLOCK, spacer, gas valve	1	280	16J865	PLATE, skid, torch, protector	1
32	118482	FITTING, elbow, 45	2	281	24J403	LABEL, regulator	1
33	125064	VALVE, needle, gas, 1/4 npt	2	282	24J404	LABEL, regulator	1
34	15Y339	ROD, support, die	1	317	24J589	KIT, repair, sleeve, heat, 1/4	1
35	125063	FITTING, flared, 1/4 pipe, adapter	1	319*‡	16W410	BRACKET	1
48	16H128	TUBE, formed, gas	1	320	16C333	DOOR	1
52	16H106	BRACKET, support, manifold, front	1	323	156823	FITTING, union swivel	1
55	24J586	KIT, repair, frame (includes 281, 282)	1	340	24J590	KIT, repair, sleeve, heat, 3/8	1
64	156971	FITTING, nipple, short	1	357	120975	BUSHING, strain relief	1
67	16H104	INDICATOR, burner	7	400	24T765	KIT, repair, torch up burner (includes 67)	1
68	24J577	KIT, repair, manifold, front	1	401+	100840	FITTING, elbow, street	1
71	24J572	KIT, repair, pilot, tube	1	402+	16Y229	GAUGE, 15 psi	1
73	24J587	KIT, repair, shroud, die (includes 233, 259)	1	403+	127257	GAUGE, 300 psi	1
75	113958	RING, retaining, external	3	404	24T750	KIT, repair, gauges	1
76	16J486	TUBE, formed, gas	1	405*‡	114984	SCREW, tapping, phillips pan hd	2
99	123086	HOSE, propane w/ polswivel adapter	1	406+	100030	BUSHING	1
102	104641	FITTING, bulkhead	2	407+	16W635	FITTING, filter	1
105*	112798	SCREW, thread forming, hex HD	14	408+	156971	FITTING, nipple, short	1
117*	16A061	TUBE, formed, gas	3	409+	104984	FITTING, tee, pipe	1
118	16W412	TUBE, formed, gas	1	410+	118484	FITTING, connector	1
120*	100016	WASHER, lock	2	411	24C113	KIT, repair, fitting, ferrule	1
121*	100015	NUT, hex mscr	4	412*	24S074	LABEL, 3 psi system	1
126	123085	CONTROL, igniter, pulse	1	417*‡	555455	ADAPTER, 1/8 x 1/8 npt	1
130*‡	125324	FITTING, inlet, pilot	1	418*‡	103656	NIPPLE, 1/8 x 1/8 npt, male	1
131	114104	SCREW, mach, hex wash HD	10	419*‡		ELBOW, 1/8 x 1/8 npt, female	1
142	110249	ADAPTER, male elbow 90 degr	2	420*‡	128444	NIPPLE, 2.5 in, 1/8 x 1/8 npt	1
146	107257	SCREW, thd forming	40	421*‡	16Y514	ADAPTER, flared, 1/8 npt	1
148	122667	SCREW, drill, hex washer head	3				

▲ Replacement Danger and Warning labels, tags, and cards are available at no cost.

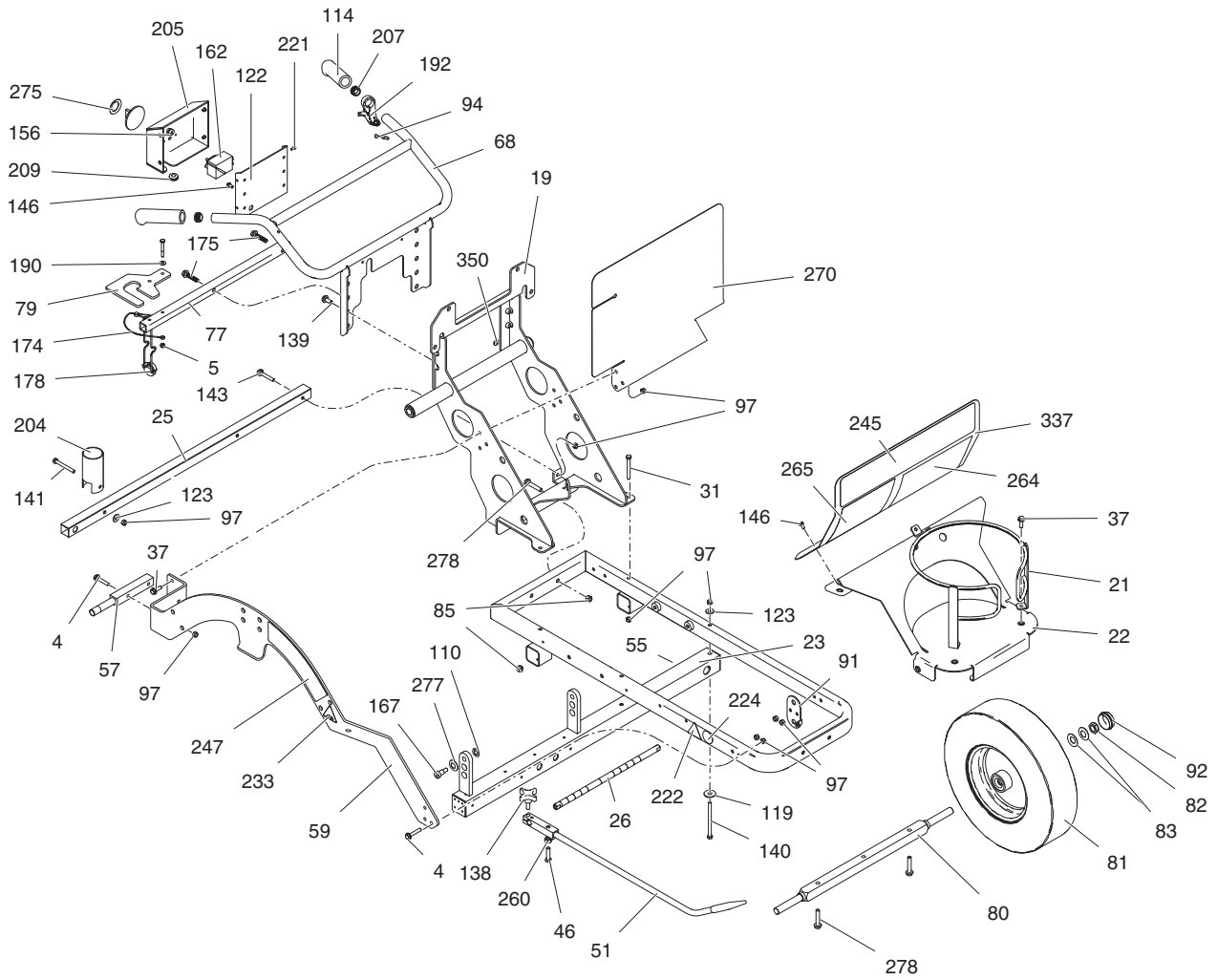
\*\* Includes 323 Fitting, union swivel

+ Included in kit 24T750

\* Included in kit 24X017

‡ Included in Kit 24T749

# Parts - ProMelt (Model 24H624)



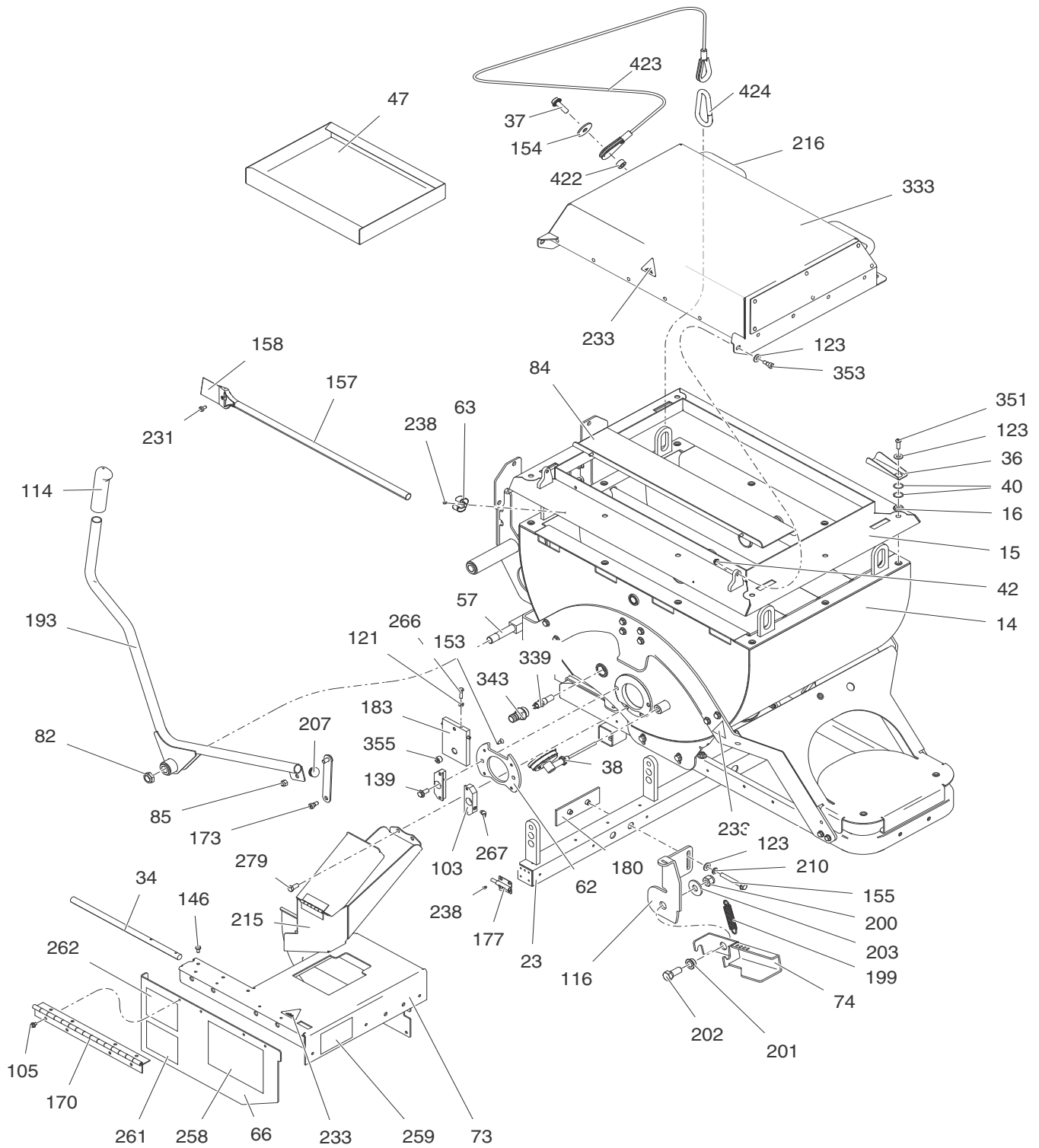
ti17087c

## Parts List - ProMelt (Model 24H624)

Ref.	Part	Description	Qty.	Ref.	Part	Description	Qty.
4	112960	SCREW, cap, flng HD	10	224	15Y963	LABEL, kettle burners, lighting	1
5	102040	NUT, lock, hex	2	233▲	16D646	LABEL, ISO, hot surface	5
19	24F693	BRACKET, handle, mount	1	245	16H076	LABEL, brand, ThermoLazer Pro-Melt front	1
21	24F694	HOLDER, tank, propane	1	247	16H075	LABEL, brand, ThermoLazer Pro-Melt right	1
22	16F641	BRACKET, support, tank, propane	1	260	100131	NUT, full hex	1
23	15W735	ARM, chamber, die	1	265	15Y964	LABEL, kettle lighting instruction	1
25	15X377	TUBE, support, beadbox	1	270	16F660	SHIELD, heat, rear, Promelt	1
26	16A481	BAR, mount, indicator, line	1	275	16A873	LABEL, temperature control F & C	1
31	110385	SCREW, cap, hex HD (5/16x3)	2	277	119563	WASHER, belleville	1
37	112586	SCREW, cap, hex HD	14	278	114982	SCREW, cap, flng HD	6
46	102637	SCREW, cap	1	337	24J576	KIT, repair, heat shield, front (includes 245, 265)	1
51	24C232	INDICATOR, line, thermolazer	1	350	124655	GROMMET, high temp	1
55	24J586	KIT, repair, frame (includes 222, 224)	1				
57	15W443	SHAFT, pivot, agitator	2				
59	24J582	KIT, repair, mount, ProMelt, right (includes 233, 247)	1				
68	15W992	BAR, handle	1				
77	15X286	TUBE, lock	1				
79	15X287	BRACKET, lock	1				
80	193405	AXLE	1				
81	111020	WHEEL, pneumatic	2				
82	112405	NUT, lock	6				
83	112825	SPRING, belleville	10				
85	101566	NUT, lock	7				
91	15F910	BRACKET, cable	1				
92	114648	CAP, dust	3				
94	241445	KIT, repair, cable	1				
97	111040	NUT, lock, insert, nylock, 5/16	23				
105	112798	SCREW	14				
110	195134	SPACER, ball, guide	2				
114	114659	GRIP, handle	5				
119	108851	WASHER, plain	2				
122	15X995	COVER, control box	1				
123	100023	WASHER, flat	17				
138	111145	KNOB, pronged	1				
139	111192	SCREW, cap flang HD	25				
140	110384	SCREW, cap, hex HD	2				
141	113664	SCREW, cap, hex HD	1				
143	114653	SCREW, cap, flange head	2				
146	107257	SCREW, thd forming	37				
156	119545	BUSHING, strain, relief	2				
162	24J569	KIT, repair, temp, control ProMelt (includes 275)	1				
167	123199	SCREW, shoulder, socket head	3				
174	121458	TIE, lanyard	1				
175	117779	SCREW, hex head, flanged	6				
178	123186	TOOL, spark lighter	1				
190	170772	WASHER, plain	2				
192	194310	LEVER, actuator	1				
204	16H582	TUBE, torch holder	1				
205	15X993	BOX, control	1				
207	120151	RETAINER, caplug	3				
209	801012	GROMMET	1				
221	116610	SCREW, mach, phil, pan, #10	9				
222▲	16A274	LABEL, ISO, explosion	1				

▲ Replacement Danger and Warning labels, tags, and cards are available at no cost.

# Parts - ProMelt (Model 24H624)



ti17088b

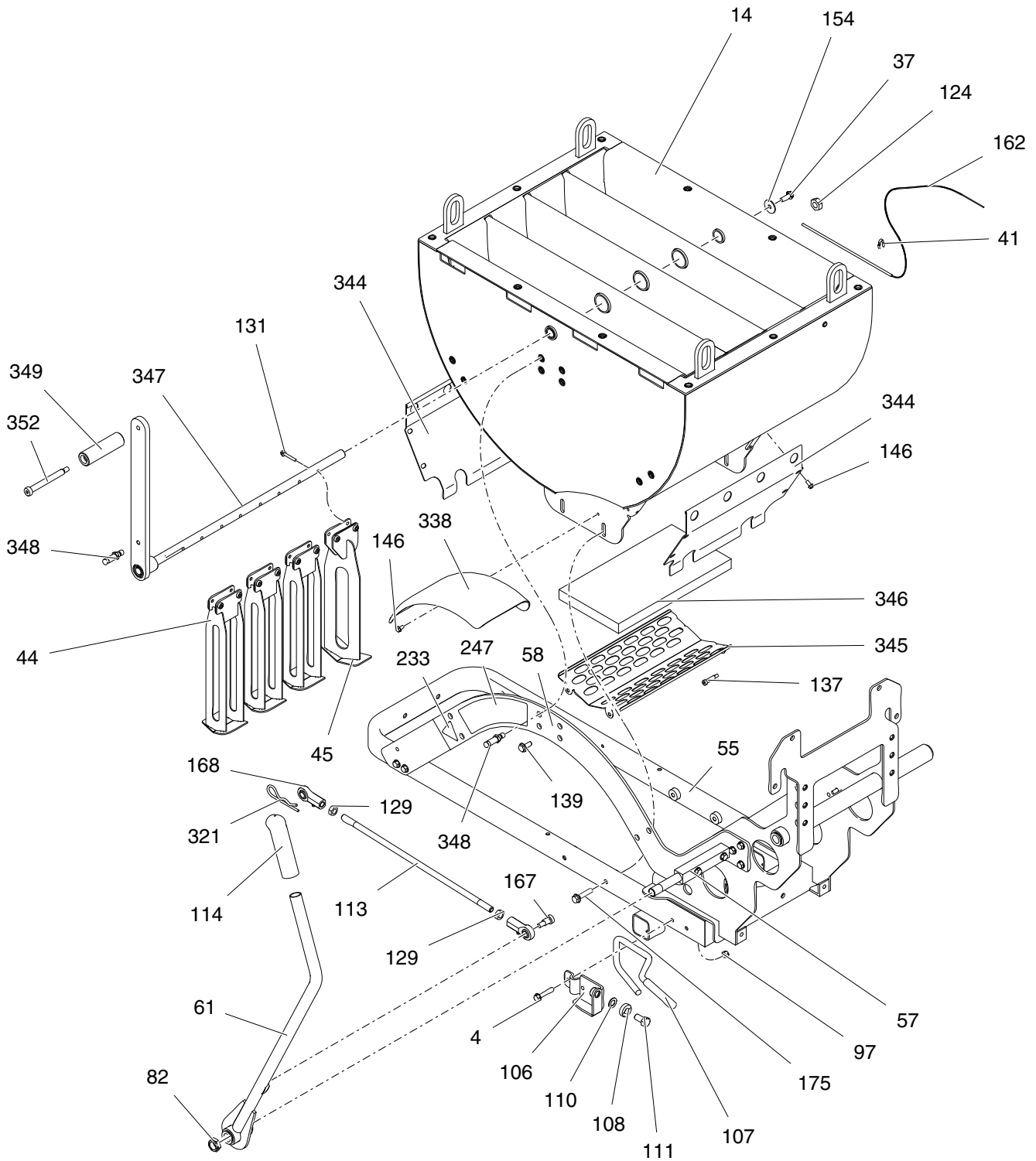
## Parts List - ProMelt (Model 24H624)

Ref.	Part	Description	Qty.	Ref.	Part	Description	Qty.
14	24J579	KIT, repair, kettle, ProMelt	1	183	24C105	GATE, valve, finished	1
15	24F692	COVER, kettle, ProMelt	1	193	24B811	HANDLE, gate valve	1
16	16H285	SPACER, latch, ProMelt	2	199	123206	SPRING, extension	1
23	15W735	ARM, chamber, die	1	200	101712	NUT, lock	1
34	15Y339	ROD, support, die	1	201	123209	BEARING, flanged	1
36	16F643	LATCH, cover, Promelt	2	202	123208	SCREW, cap, hex head	1
37	112586	SCREW, cap, hex hd	1	203	115028	WASHER, flat	1
38	15Y679	THERMOMETER, temp gauge	1	207	120151	RETAINER, caplug	3
40	116038	WASHER, wave spring	4	210	100133	WASHER, lock, 3/8	2
42	115942	NUT, hex, flange head	2	215	24J084	FUNNEL, complete	1
47	16F697	SCREEN, inlet, ProMelt	1	216	16F727	HANDLE, cover	2
57	15W443	SHAFT, pivot, agitator	2	231	110637	SCREW, machine, panhead	6
62	16A065	FLANGE, mount, gate valve	1	233▲	16D646	LABEL, ISO, hot surface	5
63	125270	RETAINER, clip	2	238	123035	RIVET, blind	6
66	24J588	KIT, shroud, door, die (includes 258, 261, 262)	1	258	16H841	LABEL, SmartDie II, instructions	1
73	24J587	KIT, shroud, die (includes 233, 259)	1	259	16J470	LABEL, front burner lighting instructions	1
74	15W614	HANDLE, actuator	1	261	16J468	LABEL, torch lighting instructions	1
82	112405	NUT, lock	5	262	16J469	LABEL, rear screed burner	1
84	16H286	PLATE, filler, kettle	1	266	100021	SCREW, cap hex HD	1
85	101566	NUT, lock	7	267	100847	FITTING, lubrication	2
103	16A066	PLATE, guide, gate valve	2	279	100680	SCREW, cap, hex HD	2
105	112798	SCREW, thread forming, hex HD	12	333	24J867	KIT, repair, lid (includes 216, 233, 354)	1
114	114659	GRIP, handle	5	339	124610	SENSOR, high temp, control	1
116	15W737	BRACKET, tension, die	1	343	16F655	PLUG, thermowell, ProMelt	1
121	100015	NUT, hex mscr	4	351	125112	SCREW, cap, btn HD, 5/16 X 1	10
123	100023	WASHER, flat	17	353	108859	SCREW, shoulder, sch (24H624 only)	2
139	111192	SCREW, cap flang HD	25	355	101754	PLUG, pipe	1
146	107257	SCREW, thd forming	37	365	24J573	KIT, repair, lid, Promelt (includes 63, 238, 84, 42, 15, 16, 40, 36, 123, 351, 333, 353, 123, 146)	1
153	123164	SCREW, sockethead, flat	4	422	17S349	SPACER, cover	1
154	120659	WASHER, flat	1	423	17S350	CABLE, lanyard	1
155	116935	SCREW, cap, flnghd	2	424	17S351	ADAPTER, carabiner	1
157	24J179	KIT, accessory, scraper, long (includes 158, 231)	1				
158	24J356	BLADE, scraper (5 pk)	1				
170	123154	HINGE, access door	1				
173	121256	SCREW, shoulder, skt HD	1				
177	123099	LOCK, slide barrel	1				
180	15Y949	PLATE, back support	1				

▲ Replacement Danger and Warning labels, tags, and cards are available at no cost.



# Parts - ProMelt (Model 24H624)



ti17089b

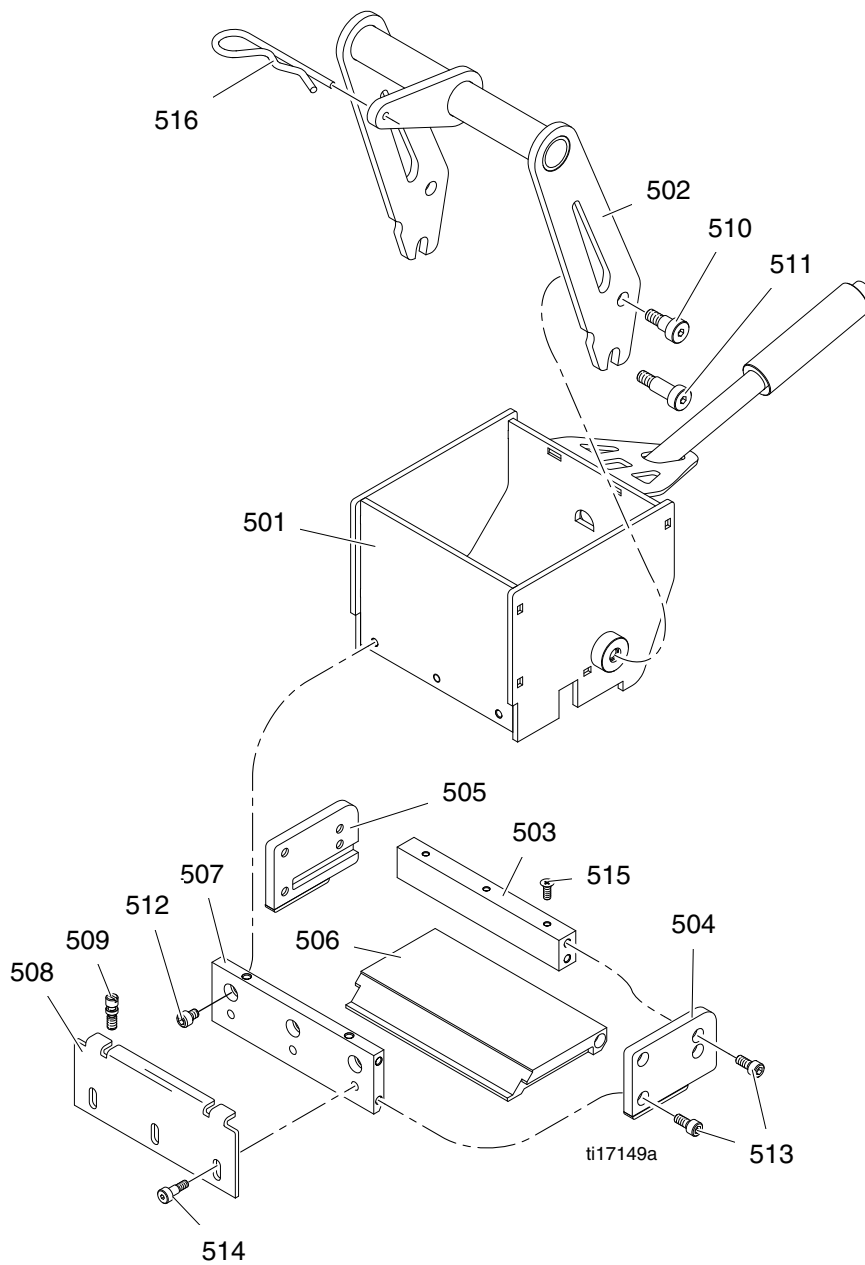
## Parts List - ProMelt (Model 24H624)

Ref.	Part	Description	Qty.
4	112960	SCREW, cap, flng HD	10
14	24J579	KIT, repair, kettle, ProMelt (includes 344, 56, 345, 346, 145, 146, 137)	1
37	112586	SCREW, cap, hex HD	14
41	16C018	CLIP, holder, wire	1
44	24F696	AGITATOR, ProMelt, wide	3
45	24F697	AGITATOR, ProMelt, narrow	1
55	24J586	KIT, repair, frame	1
57	15W443	SHAFT, pivot, agitator	2
58	24J583'	KIT, repair, mount, ProMelt, left (includes 233, 247)	1
61	15W447	AGITATOR, arm	1
82	112405	NUT, lock	5
97	111040	NUT, lock, insert, nylock, 5/16	23
106	198891	BRACKET	1
107	198930	ROD, brake	1
108	198931	BEARING	1
110	195134	SPACER, ball, guide	2
111	113961	SCREW, cap, hex HD	1
113	16F729	ROD, threaded, ProMelt	1
114	114659	GRIP, handle	5
124	100681	NUT, jam, hex	1
129	100111	NUT	2
131	114104	SCREW, mach, hex wash HD	10
137	111045	SCREW, shoulder	4
139	111192	SCREW, cap flang HD	25
146	107257	SCREW, thd forming	37
154	120659	WASHER, falt	1
162	24J569	KIT, repair, temperature control, ProMelt (includes 41, 124)	1
167	123199	SCREW, shoulder, socket head	3
168	123200	ROD, ball joint, end	2
175	117779	SCREW, hex head, flanged	6
233▲	16D646	LABEL, ISO, hot surface	5
247	16H074	LABEL, ThermoLazer ProMelt	1
321	123385	PIN, cotter, hairpin	2
338	16H584	FENDER, ProMelt	2
344	16F656	SHIELD, kettle, bottom, ProMelt	2
345	24J571	KIT, repair, baffle, kettle (includes 346, 137)	1
346	16F658	BAFFLE, heat, insulated, ProMelt	1
347	24F699	SHAFT, agitator, ProMelt	1
348	16F728	FITTING, arm mount agitator	2
349	16F645	HANDLE, agitator, ProMelt	1
352	124628	SCREW, shoulder, sch	1

▲ Replacement Danger and Warning labels, tags, and cards are available at no cost.

## Parts - SmartDie II Box

17A173	2 in. (5 cm)
24H431	3 in. (8 cm)
24H426	4 in. (10 cm)
17J250	4.75 in. (12 cm)
24H432	5 in. (13 cm)
24H427	6 in. (15 cm)
24H433	7 in. (18 cm)
24H428	8 in. (20 cm)
24H434	9 in. (22.5 cm)
24H429	10 in. (25 cm)
24H430	12 in. (30 cm)
17A174	16 in. (40 cm)

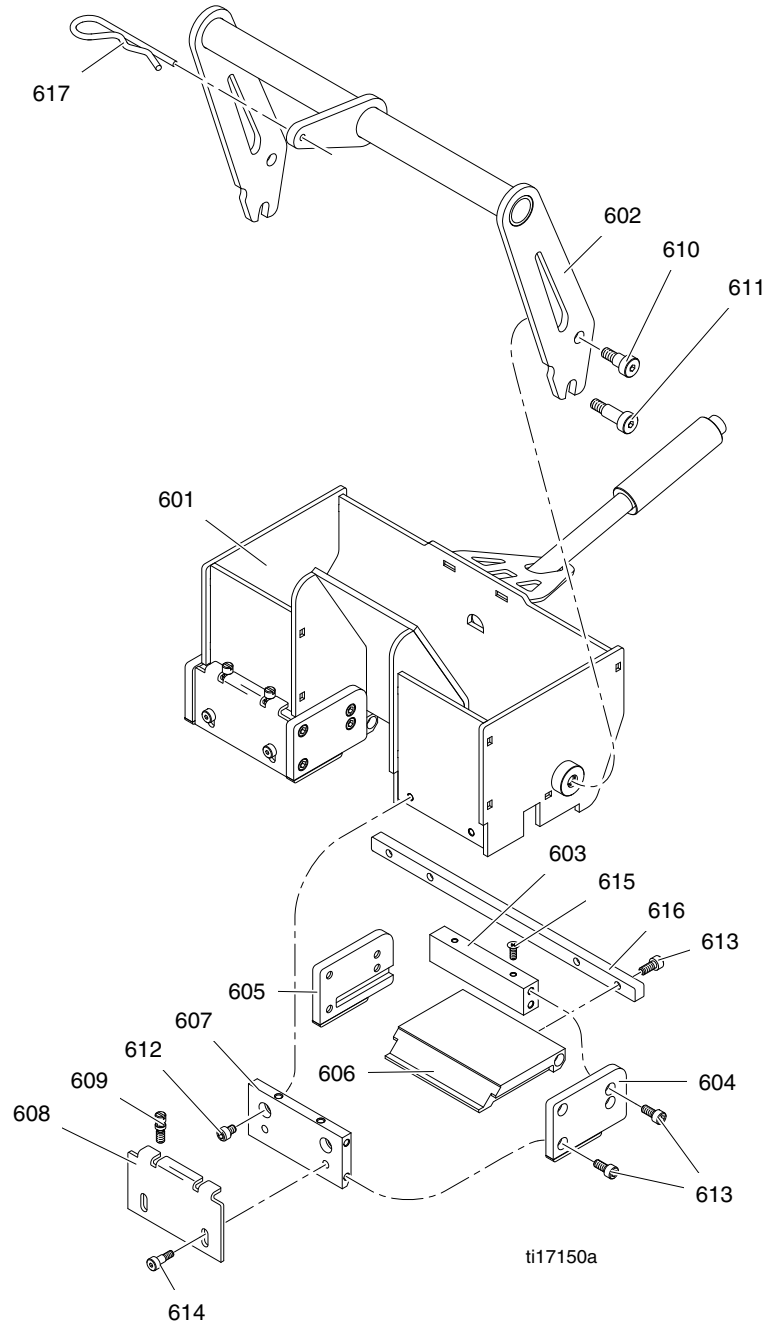


## Parts List - SmartDie II Box

Ref.	Part	Description	Qty.	Ref.	Part	Description	Qty.
501	24H565	BOX, die, weldment (17A173)	1		16H022	BAR, shear (24H434)	1
	24H562	BOX, die, weldment (24H431)	1		16H017	BAR, shear (24H429)	1
	24H563	BOX, die, weldment (24H426)	1		16H018	BAR, shear(24H430)	1
	17J251	BOX, die, weldment (17J250)	1		17A185	BAR, shear (17A174)	1
	24H564	BOX, die, weldment (24H432)	1	507	16H025	BAR, shear, stop (17A173)	1
	24H565	BOX, die, weldment (24H427)	1		16H029	BAR, shear, stop (24H431)	1
	24H566	BOX, die, weldment (24H433)	1		16H024	BAR, shear, stop (24H426)	1
	24H567	BOX, die, weldment (24H428)	1		17J263	BAR, shear, stop (17J250)	1
	24H568	BOX, die, weldment (24H434)	1		16H030	BAR, shear, stop (24H432)	1
	24H569	BOX, die, weldment (24H429)	1		16H025	BAR, shear, stop (24H427)	1
	24H570	BOX, die, weldment (24H430)	1		16H031	BAR, shear, stop (24H433)	1
	17A176	BOX, die, weldment(17A174)	1		16H026	BAR, shear, stop (24H428)	1
502	24H574	YOKE, weldment (17A173)	1		16H032	BAR, shear, stop (24H434)	1
	24H571	YOKE, weldment (24H431)	1		16H027	BAR, shear, stop (24H429)	1
	24H572	YOKE, weldment (24H426)	1		16H028	BAR, shear, stop (24H430)	1
	17J256	YOKE, weldment (17J250)	1		17A187	BAR, shear, stop (17A184)	1
	24H573	YOKE, weldment (24H432)	1	508	17A188	PLATE, screed, adjustable (17A173)	1
	24H574	YOKE, weldment (24H427)	1		16H033	PLATE, screed, adjustable (24H431)	1
	24H575	YOKE, weldment (24H433)	1		16H034	PLATE, screed, adjustable (24H426)	1
	24H576	YOKE, weldment (24H428)	1		17J264	PLATE, screed, adjustable (17J250)	1
	24H577	YOKE, weldment (24H434)	1		16H035	PLATE, screed, adjustable (24H432)	1
	24H578	YOKE, weldment (24H429)	1		16H036	PLATE, screed, adjustable (24H427)	1
	24H579	YOKE, weldment (24H430)	1		16H037	PLATE, screed, adjustable (24H433)	1
	17A179	YOKE, weldment (17A174)	1		16H038	PLATE, screed, adjustable (24H428)	1
503	16G996	BAR, support (17A173)	1		16H039	PLATE, screed, adjustable (24H434)	1
	16H001	BAR, support (24H431)	1		16H040	PLATE, screed, adjustable (24H429)	1
	16G995	BAR, support (24H426)	1		16H041	PLATE, screed, adjustable (24H430)	1
	17J260	BAR, support (17J250)	1		17A189	PLATE, screed, adjustable (17A184)	1
	16H006	BAR, support (24H432)	1	509	16H044	SCREW, adjustment, screed	2
	16G996	BAR, support (24H427)	1	510	125028	SCREW, shoulder, socket head M8	2
	16H007	BAR, support (24H433)	1	511	125027	SCREW, shoulder, socket head M8	2
	16G997	BAR, support (24H428)	1	512	110501	SCREW, cap sch, M6 x 8	7
	16H008	BAR, support (24H434)	1			(24H431,24H426, 24H432, 24H427,	
	16G998	BAR, support (24H429)	1			24H433 ,24H428, 24H434, 24H429,	
	16G999	BAR, support (24H430)	1			24H430)	
	17A183	BAR, support (17A174)	1	513	121518	SCREW, cap, shc	8
504	24H581	PLATE, die runner, right	1	514	125029	SCREW, shoulder, socket head M5	5
505	24H580	PLATE, die runner, left	1			(24H431,24H426, 24H432, 24H427,	
506	17A184	BAR, shear (17A173)	1			24H433 ,24H428, 24H434, 24H429,	
	16H019	BAR, shear (24H431)	1			24H430))	
	16H014	BAR, shear (24H426)	1	515	123340	SCREW, mach, flat head, undercut	6
	17J262	BAR, shear (17J250)	1			(24H431,24H426, 24H432, 24H427,	
	16H020	BAR, shear (24H432)	1			24H433 ,24H428, 24H434, 24H429,	
	16H015	BAR, shear (24H427)	1			24H430))	
	16H021	BAR, shear (24H433)	1	516	123385	PIN	1
	16H016	BAR, shear (24H428)	1				

# Parts - Double Line Die Box

24H435	4-3-4 in. (10-8-10 cm)
24H436	4-4-4 in. (10-10-10 cm)
24H437	3-3-3 in. (8-8-8 cm)
24J785	4-6-4 in. (10-15-10 cm)
17R378	5-5-5 in. (13-13-13 cm)



## Parts List - Double Line Die Box

Ref. Part	Description	Qty.
601 24H647	BOX, die, weldment (24H435)	1
24H648	BOX, die, weldment (24H436)	1
24H649	BOX, die, weldment (24H437)	1
24J784	BOX, die, weldment (24J785)	1
17R379	BOX, die, weldment (17R378)	1
602 24H652	YOKE, weldment (24H435)	1
24H579	YOKE, weldment (24H436)	1
24H577	YOKE, weldment (24H437)	1
24J783	YOKE, weldment (24J785)	1
17R382	YOKE, weldment (17R378)	1
603 16G995	BAR, support (24H435)	1
16G995	BAR, support (24H436)	1
16H001	BAR, support (24H437)	1
16G995	BAR, support (24J785)	1
16H006	BAR, support (17R378)	1
604 24H581	PLATE, die runner, right	2
605 24H580	PLATE, die runner, left	2
606 16H159	BAR, shear, die, double (24H435)	1
16H159	BAR, shear, die, double (24H436)	1
16H160	BAR, shear, die, double (24H437)	1
16H159	BAR, shear, die, double (24J785)	1
17R384	BAR, shear, die, double (17R378)	1
607 16H024	BAR, shear, stop (24H435)	2
16H024	BAR, shear, stop (24H436)	2
16H029	BAR, shear, stop (24H437)	1
16H024	BAR, shear, stop (24J785)	2
16H030	BAR, shear, stop (17R378)	2
608 16H034	PLATE, screed, adjustable (24H435)	2
16H034	PLATE, screed, adjustable (24H436)	2
16H041	PLATE, screed, adjustable (24H437)	1
16H034	PLATE, screed, adjustable (24J785)	2
16H035	PLATE, screed, adjustable (17R378)	2
609 16H044	SCREW, adjustment, screed	4
610 125028	SCREW, shoulder, socket head M8	4
611 125027	SCREW, shoulder, socket head M8	4
612 110501	SCREW, cap, sch M6 x 8	4
	SCREW, cap, sch M6 X 8 (17R378)	6
613 121518	SCREW, cap, shc	20
614 125029	SCREW, shoulder, socket head M5	4
	SCREW, shoulder, socket head M5 (17R378)	6
615 123340	SCREW, mach, flat head, undercut	4
	SCREW, mach, flat head, undercut (17R378)	6
616 16H189	GUIDE, bar, shear, double (24H435)	1
16H161	GUIDE, bar, shear, double (24H436)	1
16H162	GUIDE, bar, shear, double (24H437)	1
16J802	GUIDE, bar, shear, double (24J785)	1
17R385	GUIDE, bar, shear, double (17R378)	1
617 123385	PIN	1