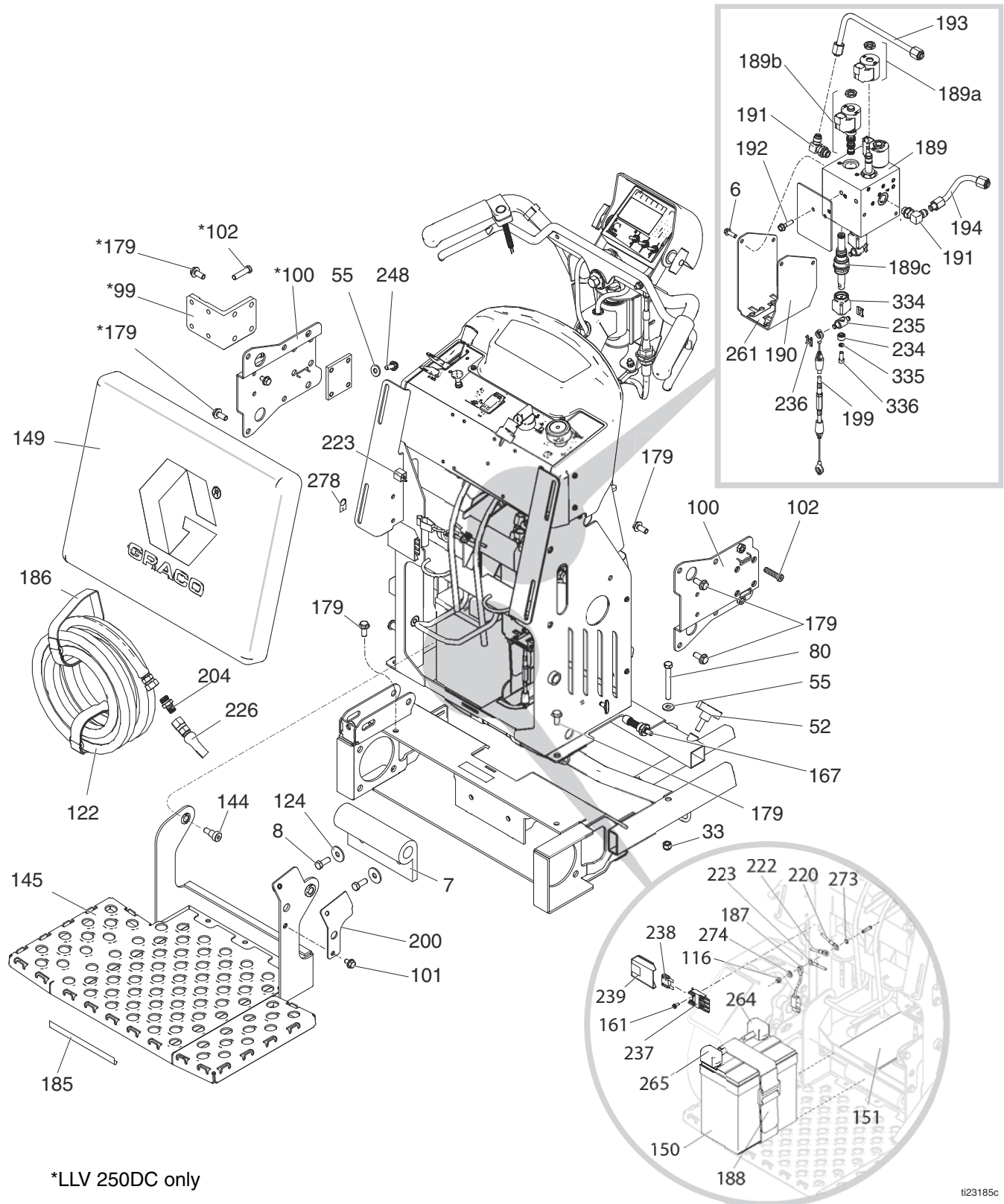


Parts



t123185c

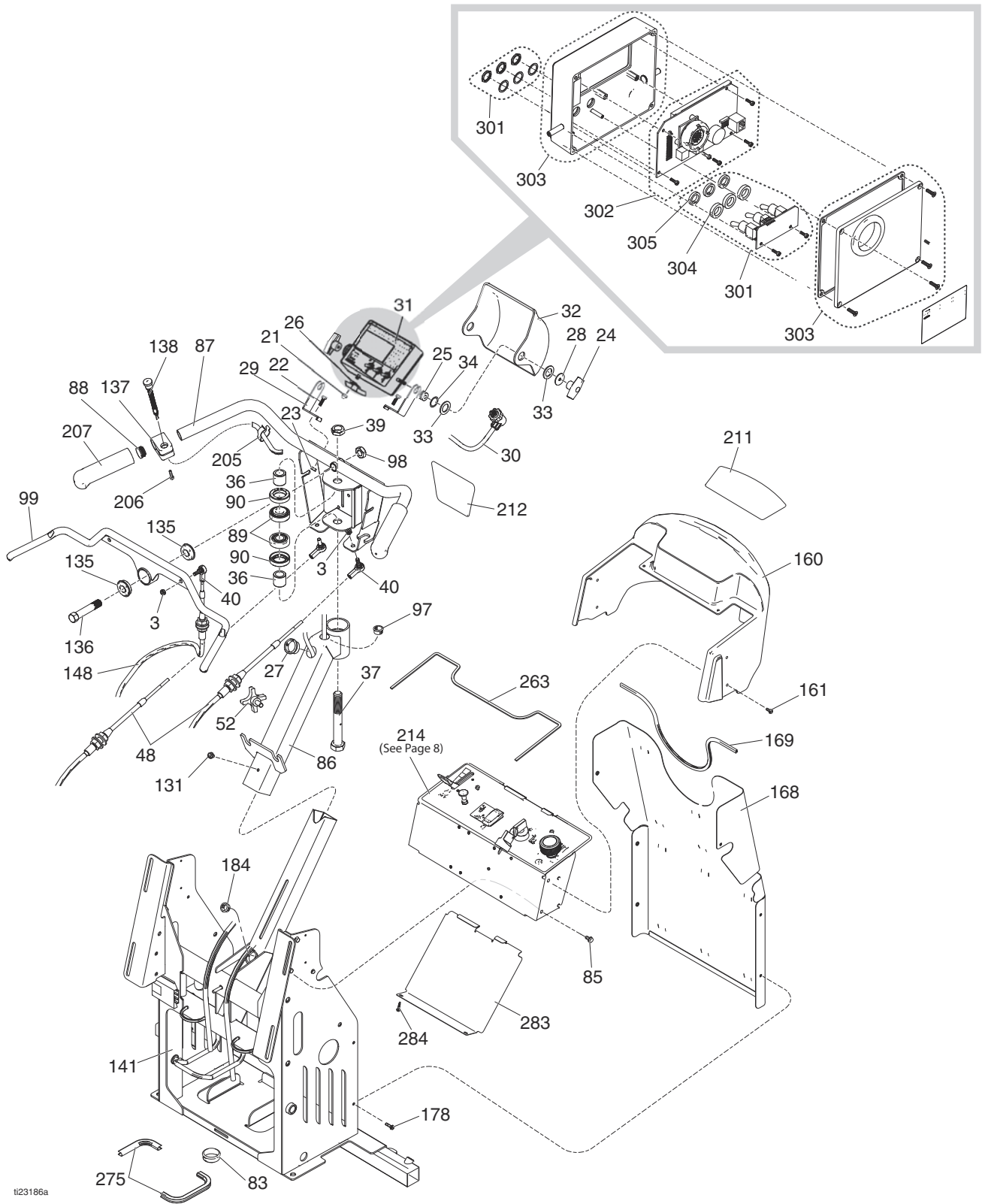
Parts List

Ref.	Part	Description	Qty.	Ref.	Part	Description	Qty.
6	260212	SCREW, hex washer hd, thd form	4	189c	24V560	KIT, repair, actuator, piston (includes 234, 235, 236, 334, 335, 336)	1
7	16M279	BUMPER, platform	1				
8	100101	SCREW, cap, hex hd	2	190	16W373	BRACKET, manifold, hydraulic, gun	1
33	101566	NUT, lock	2	191	116829	FITTING, 90 degree	2
52	111145	KNOB, pronged	2	192	15C753	SCREW, mach, hex wash hd	2
55	100023	WASHER, flat	6	193	24M625	TUBE, supply, hydraulic	1
80	120721	SCREW, cap, 3/8-16, hexhd	2	194	24M626	TUBE, supply, hydraulic	1
99	16W544	BRACKET, mount, second pump, LL250, paint	1	199	24N492	KIT, repair, gun cable (includes 236)	1
100	16M717	BRACKET, mount, pump, LL250, paint	2	200	16N380	BRACKET, pin ramp	1
101	111801	SCREW, cap, hex hd	1	204	196177	ADAPTER, nipple	2
102	107210	SCREW	8	220	16X078	HARNESS, wire	1
116	102040	NUT, lock, hex	1	222	16N541	WIRE, negative battery	1
122				223	16N540	HARNESS, light connection	1
	*191239	HOSE, coupled 3/8 x 11 ft	2	226	245798	KIT, repair, hose	3
	**124884	HOSE, coupled 3/8 x 22 ft	1	234	16W656	BUSHING, manifold, cable, gun	3
124	108851	WASHER, flat	2	235	16W655	ADAPTER, manifold, cable, gun	3
144	126108	SCREW, shoulder, skt hd	2	236	126111	RETAINER, circlip, external, 8mm	6
145	24L909	FRAME, platform, painted, LL250	1	237	126095	HOLDER, fuse	1
149	278421	PAD, foam	1	238	126096	FUSE, 30A	1
150	115753	BATTERY, 33 AH, sealed	1	239	126097	COVER, fuse holder	1
151	801972	PAD, battery	1	248	110963	SCREW, cap, flange head	4
161	118444	SCREW, mach, slot hex wash hd	1	261	16Y454	LABEL, gun indicator	1
167	24D618	PIN, handle, Grindlazer	1	264	801958	PROTECTOR, terminal, red	1
179	111192	SCREW, cap flang hd	12	265	801959	TERMINAL, protector, black	1
185	290159	LABEL, reflective	1	273	558685	WASHER, 1/4 external tooth lock	1
186	114271	STRAP, retaining	2	274	110755	WASHER, plain	1
187	237686	WIRE, ground assembly w/ clamp	1	278	16P138	LABEL, energy source	2
188	126071	STRAP, battery	1	334	16P450	BELLOWS, constant volume	3
189	16W372	MANIFOLD, hydraulic, three pis- ton	1	335	105510	WASHER, lock, spring, (hi collar)	3
189a	24N577	KIT, repair, coil, hydraulic manifold	1	336	126242	SCREW, cap, sch	3
189b	24N490	KIT, repair, solenoid (includes 189a)	1				

* LLV 250DC

** LLV 250SPS

Parts

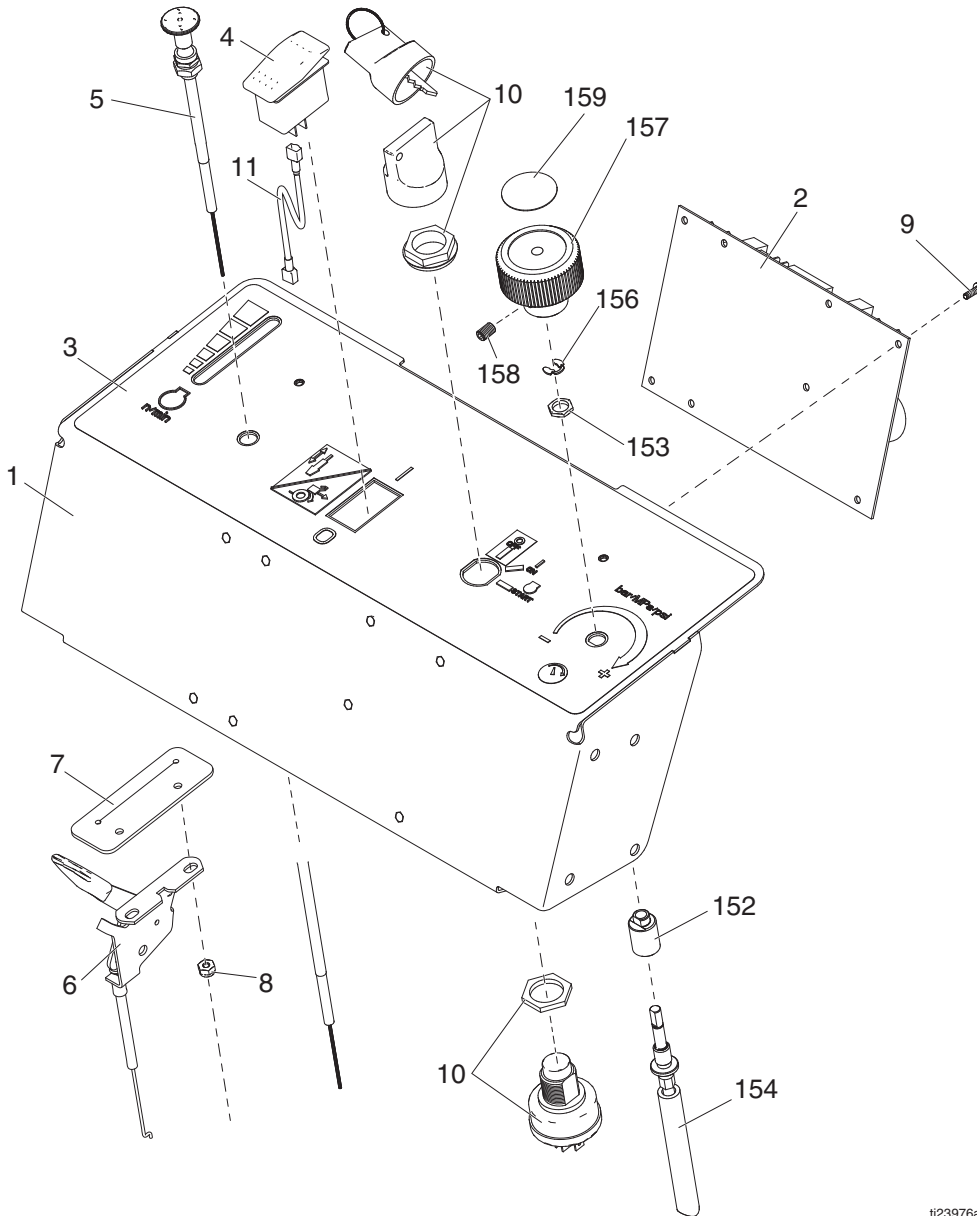


t123186a

Parts List

Ref.	Part	Description	Qty.	Ref.	Part	Description	Qty.
3	102393	NUT, lock	3	99	24M196	HANDLE, control, forward/reverse	1
21	116424	NUT	1	131	112798	SCREW, thread forming, hex hd	1
22	100022	SCREW, cap, hex hd	2	135	119532	BEARING, flanged	2
23	102040	NUT, lock	2	136	15E780	PIN, fork	1
24	115480	KNOB, T-handle	2	137	15K162	BLOCK	1
25	118886	GROMMET, isolator	2	138	16N401	SWITCH, push button	1
26	108868	CLAMP	1	141	16M702	FRAME, upright, LL250, paint	1
27	127372	BUSHING	1	148	16M274	CABLE, forward/reverse, push/pull	1
28	159346	WASHER	2	160	16X069	COVER, display, LL250, painted	1
29	16X072	BRACKET, control, mount	2	161	118444	SCREW, mach, slot hex wash hd	6
30	24U233	CABLE, 18 conductor	1	168	24N496	KIT, repair, shield, paint (includes 169)	1
31	24U234	BOX, control	1	169	114225	TRIM, edge protection	1
32	17B211	COVER, control box, LL250, painted	1	178	107439	SCREW, mach, hex hd	6
33	116477	WASHER, flat, nylon	4	184	127372	BUSHING, strain relief	1
34	116038	WASHER, wave, spring	2	205	178342	CLIP, spring	1
36	193658	SPACER, seal	2	206	C20004	SCREW, cap	1
37	113471	SCREW, cap, hex hd	1	207	114659	GRIP, handle	2
39	112405	NUT, lock	1	211	16X127	LABEL, brand, LineLazer, dash	1
40	125792	BALL, joint, rod end	3	212	16X125	LABEL, brand, LineLazer, top	1
48	16M273	CABLE, steering push/pull, LL250	2	214	24U235	PLATE, control complete, see page 8	1
52	111145	KNOB, pronged	1	263	16N548	GASKET, control	1
83	113677	BUSHING, nylon	3	275	126215	TRIM, edge, protection	1
85	107257	SCREW, thd forming	6	283	16P554	PLATE, cover, control board	1
86	24N494	KIT, repair, support, steering (includes 89, 90)	1	284	16M007	SCREW, drill, hex washer head	2
87	24L900	BAR, handle, LL250	1	301	24V564	KIT, board, toggle switch	1
88	120151	RETAINER, caplug	2	302	24V565	KIT, display, repair	1
89	113485	BEARING, cup/cone	2	303	24V566	KIT, switch, membrane	1
90	115503	SEAL, grease	2	304	16Y924	SPACER, toggle switch	3
97	119569	BUSHING, strain relief	1	305	127543	SEAL, toggle switch	3
98	119554	NUT, lock, nylon, thin pattern	1				

Parts (24U235 Control Panel)

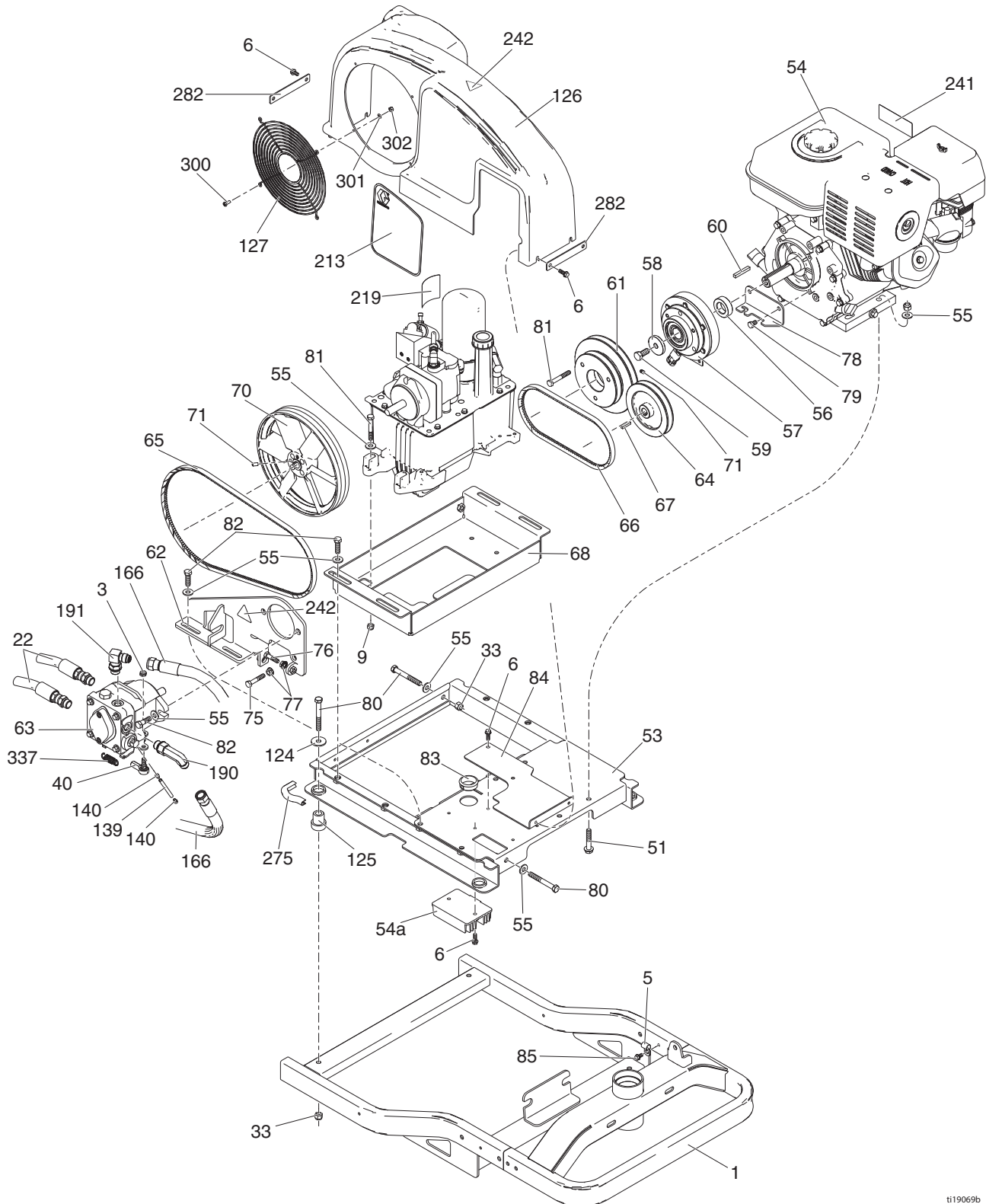


ti23976a

Parts List

Ref.	Part	Description	Qty.	Ref.	Part	Description	Qty.
1	16X077	PLATE, control, LL250	1	11	17C064	WIRE, positive	1
2	24V561	KIT, repair, control board (includes 9)	1	152	16Y411	BUSHING, pressure control mount	1
3	16X074	LABEL	1	153	119775	NUT, panel	1
4	17C063	SWITCH, rocker, SPST	1	154	24V563	SHAFT, flexible	1
5	16M508	CABLE, choke	1	156	115999	RING, retaining	1
6	16M509	CONTROL, throttle	1	157	16Y408	KNOB, pressure control	1
7	16N549	GASKET, throttle	1	158	101962	SCREW, set, sch, 1/4-20	1
8	109466	NUT, lock, hex	2	159	15A464	LABEL, control	1
9	111839	SCREW, mach, pnh, sems	8		24U235	PLATE, control (includes 1, 2, 3, 4, 5, 6, 7, 8, 9, 10, 11)	1
10	16X075	SWITCH, ignition	1				

Parts



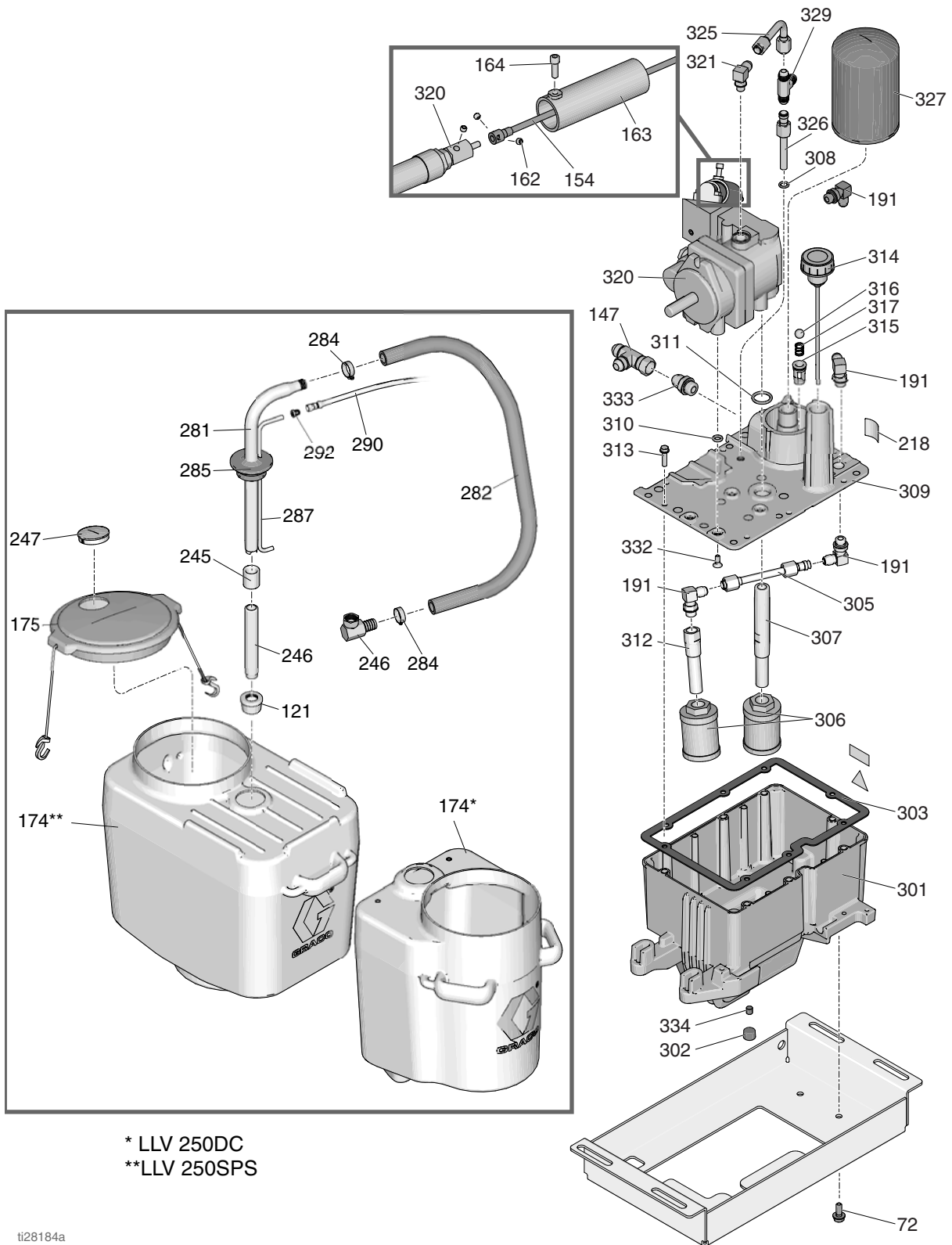
t119069b

Parts List

Ref.	Part	Description	Qty.	Ref.	Part	Description	Qty.
1	24L896	FRAME, painted, LL250	1	79	112406	SCREW, cap, hex hd	2
3	102393	NUT, lock	1	80	120721	SCREW, cap, 3/8-16, hexhd	7
5	108868	CLAMP, wire	1	81	108481	SCREW, cap, hex hd	5
6	260212	SCREW, hex washer hd, thd form	8	82	100004	SCREW, cap, hex hd	6
9	111040	NUT, lock, insert, nylock, 5/16	2	83	113677	BUSHING, nylon	1
22	16M271	HOSE, coupled, assembly, LL250	2	84	16M715	BRACKET, mount, belt guard, LL250	1
33	101566	NUT, lock	3				
40	125792	BALL, joint, rod end	1	85	107257	SCREW, thd forming	1
51	114982	SCREW, cap, flng hd	4	124	108851	WASHER, plain	4
53	16M072	FRAME, mount, engine, paint	1	125	119695	DAMPENER, engine mount	4
54	24V562	KIT, repair, engine, GX390 (includes 54a, 60, 202, 241)	1	126	24N498	KIT, repair, guard, belt (includes 6, 127, 242, 282, 300)	1
54a	24N502	KIT, repair, rectifier, voltage	1	127	117284	GRILL, fan guard	1
55	100023	WASHER, flat	11	139	15R309	ROD, standoff, 1/4 in. od x 2.75 in. LG	1
56	16M075	SPACER, clutch, 1.00 id x .5 thk	1	140	111006	SCREW, cap	2
57	125877	CLUTCH, electric, LL250	1	158	101962	SCREW, set, 1/4-20	2
58	16M076	WASHER, 7/16 id x .25 thk	1	166	16M276	HOSE, coupled, feed line, LL250	2
59	116596	SCREW, cap, hex head	1	190	124941	FITTING, long elbow, hydraulic	1
60	125919	KEY, parallel, square, 1/4	1	191	116829	FITTING, 90 degree	1
61	16M077	PULLEY, double	1	202	126072	KIT, Honda remote choke (not shown)	1
62	24N499	KIT, repair, bracket, hydro pump (includes 75, 76, 77, 242)	1	213	16X126	LABEL, brand, LineLazer, DC, side	1
63	247930	KIT, repair, hydraulic pump	1	219	189892	LABEL, Graco logo	1
64	16M078	PULLEY, 5 o.d. x 15mm	1	241▲	194126	LABEL, warning	1
65	125793	BELT, vee, tri-power, AX44	1	242▲	16M768	LABEL, pinch hazard iso	2
66	125876	BELT, vee, tri-power, AX26	1	275	126215	TRIM, edge, protection	1
67	117222	KEY, square	1	282	16P547	PLATE, backer, belt guard, paint	2
68	16M084	TRAY, hyd reservoir, LL250, paint	1	300	260387	SCREW, pan hd, x recess	4
70	16U205	PULLEY, fan	1	301	116876	WASHER, flat	4
71	120087	SCREW, set, 1/4 in. x 1/2 in.	2	302	116969	NUT, lock	4
75	100678	SCREW, cap hex hd	1	337	129636	SPRING	1
76	100521	SCREW, cap hex hd	1				
77	110996	NUT, hex, flange head	2				
78	16M082	BRACKET, clutch, anti-rotation	1				

▲ Replacement warning labels may be ordered free of charge.

Parts



* LLV 250DC
 **LLV 250SPS

ti28184a

Parts List

Ref.	Part	Description	Qty.	Ref.	Part	Description	Qty.
52	111145	KNOB, pronged	2	302	101754	PLUG, pipe	1
72	125794	SCREW, taptite, hex washer hd	2	303	120604	GASKET, reservoir	1
121	181072	KIT, repair, strainer	2	305	24K967	TUBE, supply, hydraulic	1
128	16X081	BRACKET, dual tank retaining	2	306	116919	FILTER	2
144	126108	SCREW, shoulder, socket head	2	307	15E587	TUBE, suction	1
147	124770	FITTING, #8 jic tee, swivel	1	308	154594	PACKING, o-ring	1
154	24V563	KIT, repair, shaft, flexible (includes 162)	1	309	16M160	COVER, reservoir, LL250, painted	1
162	112303	SCREW, set, sch	2	310	107188	PACKING, o-ring	4
163	15C958	GUARD, control, pressure	1	311	156401	PACKING, o-ring	1
164	112166	SCREW, cap, sch	1	312	16M112	TUBE, suction, hydraulic, LL250	1
174				313	119426	SCREW, mach, hex washer hd	8
	*278720	RESERVOIR, 15 gallon	2	314	120726	CAP, breather, filler	1
	**278452	RESERVOIR, 25 gallon	1	315	198841	RETAINER, ball, pressure bypass	1
175	24V687	KIT, pail, lid assembly	2	316	100084	BALL, metallic	1
191	116829	FITTING, 90 degree	4	317	116967	SPRING, compression	1
217	15K440	LABEL, brand, GH/EH cooling	1	320	16X083	KIT, repair, pump, 250SPS (includes 310, 311, 332)	1
218	16P142	LABEL, hydraulic only icon	1	321	110792	FITTING, elbow, male, 90 deg	1
245	114967	COUPLING, pipe, 1 in.	2	325	17A581	KIT, repair, case drain (includes 308)	1
246	189674	TUBE, intake	2	326	17A582	TUBE, hydraulic case, drain	1
247	127375	PLUG, 3"	2	327	246173	KIT, repair, oil filter (includes 315, 316, 317)	1
254▲	189285	LABEL, caution	1	329	127686	FITTING, tee	1
281	15F149	TUBE, suction	2	332	117471	SCREW, mach, hex flat head	4
282	194306	HOSE, fluid	2	333	120184	FITTING, hydraulic	1
283	198119	FITTING, elbow, barbed	2	334	116618	MAGNET	1
284	101818	CLAMP, hose	4				
285	278722	GASKET, pail	2				
287	16X071	TUBE, drainline	2				
290	248008	HOSE, cpld, 1/4 in. x 44 in.	2				
292	196180	BUSHING	2				
301	15J513	TANK, reservoir, blue	1				

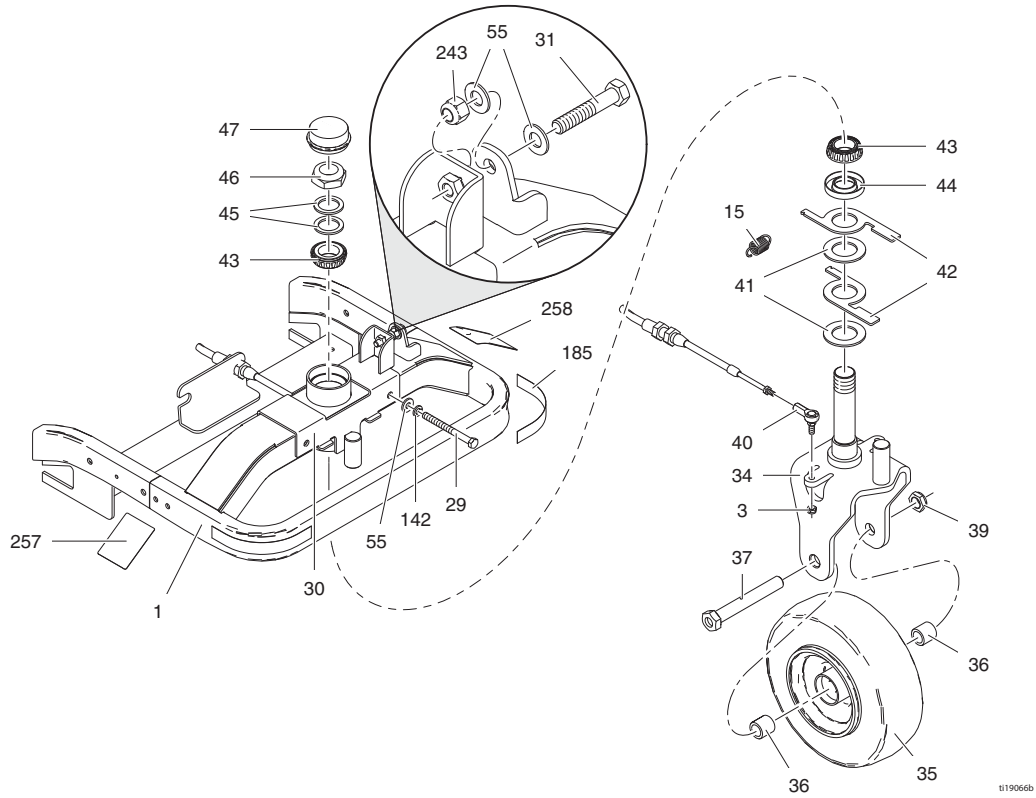
▲ Replacement warning labels may be ordered free of charge.

* LLV 250DC

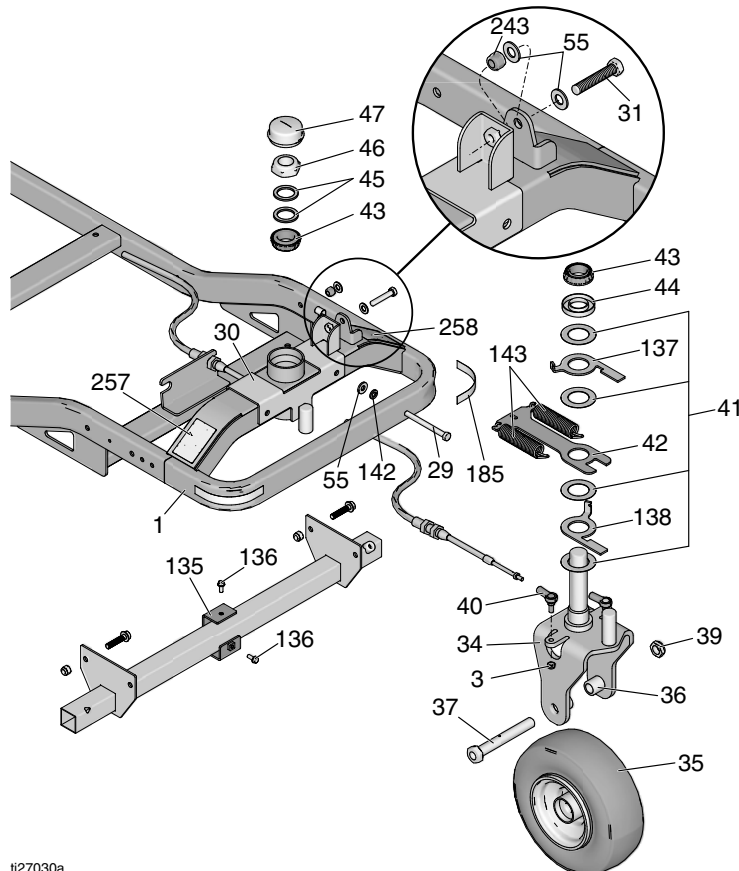
** LLV 250SPS

Parts (Front Wheel)

Series A



Series B



Parts List - Series A

Ref.	Part	Description	Qty.
1	24L896	FRAME, painted, LL250	1
3	102393	NUT, lock	2
15*	15V264	SPRING, extension	1
29	113743	SCREW, cap, hex hd	2
30	24L902	ADJUSTER, caster, weldment, LL250	1
31	126204	SCREW, cap, hex hd	1
34	24L897	CASTER, painted, LL250	1
35	16W284	WHEEL, foam filled (LL250 SPS, DC)	1
36	193658	SPACER, seal	2
37	113471	SCREW, cap, hex hd	1
39	112405	NUT, lock	1
40	125792	BALL, joint, rod end	2
41*	125893	WASHER, thrust, 1-1/2 in. id	2
42*	16M267	LEVER, self centering, LL250	2
43	126112	BEARING, tapered 1 1/4, cone	2
44	125892	SEAL, bearing, 1-1/4 shaft	1
45	126064	SHIM, caster	2
46	125890	NUT, 1 1/4-12 unf	1
47	126063	CAP, dust	1
55	100023	WASHER, flat	4
142	100133	WASHER, lock, 3/8	2
185	290159	LABEL, reflective	2
243	101714	NUT, lock	1
257	16P143	LABEL, release hydraulic drive	1
258	16P144	LABEL, caster wheel adjustment	1

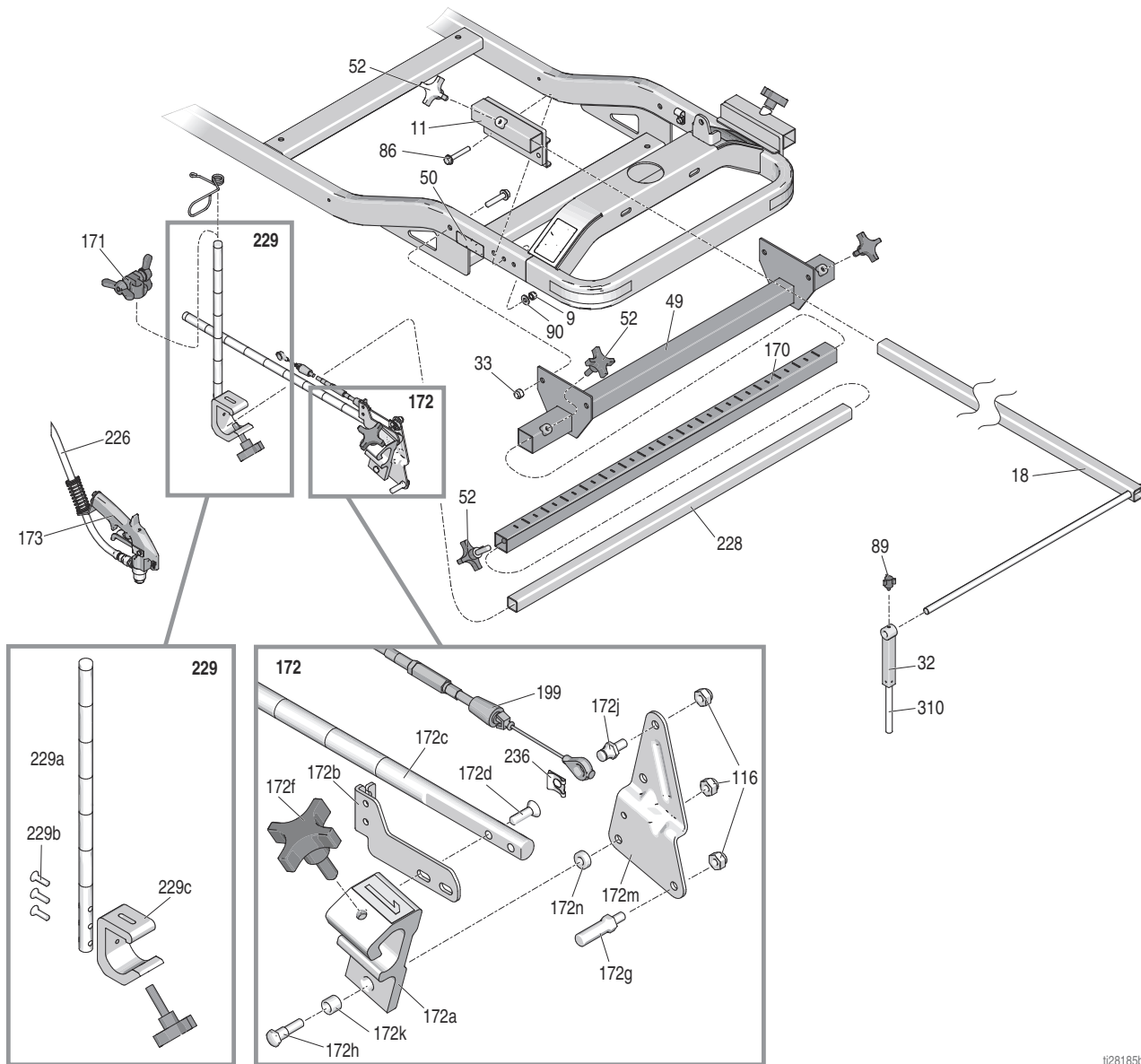
* Replace with upgrade Kit 24Y509

Parts List - Series B

Ref.	Part	Description	Qty.
1	24L896	FRAME, painted, LL250	1
3	102393	NUT, lock	2
29	113743	SCREW, cap, hex hd	2
30	24L902	ADJUSTER, caster, weldment, LL250	1
31	126204	SCREW, cap, hex hd	1
34	24L897	CASTER, painted, LL250	1
35	16W284	WHEEL, foam filled (LL250 SPS, DC)	1
36	193658	SPACER, seal	2
37	113471	SCREW, cap, hex hd	1
39	112405	NUT, lock	1
40	125792	BALL, joint, rod end	2
41*	17H372	WASHER, thrust, 1-1/2 in. id	4
42*	17H377	BRACKET, steering, self centering	1
43	126112	BEARING, tapered 1 1/4, cone	2
44	125892	SEAL, bearing, 1-1/4 shaft	1
45	126064	SHIM, caster	2
46	125890	NUT, 1 1/4-12 unf	1
47	126063	CAP, dust	1
55	100023	WASHER, flat	4
135*	17H386	BRACKET	1
136*	260213	SCREW	2
137*	17H387	LEVER, upper	1
138*	17H388	LEVER, lower	1
143*	17H374	SPRING	2
142	100133	WASHER, lock, 3/8	2
185	290159	LABEL, reflective	2
243	101714	NUT, lock	1
257	16P143	LABEL, release hydraulic drive	1
258	16P144	LABEL, caster wheel adjustment	1

* Included in Kit 24Y509

Parts (Gun Mount)

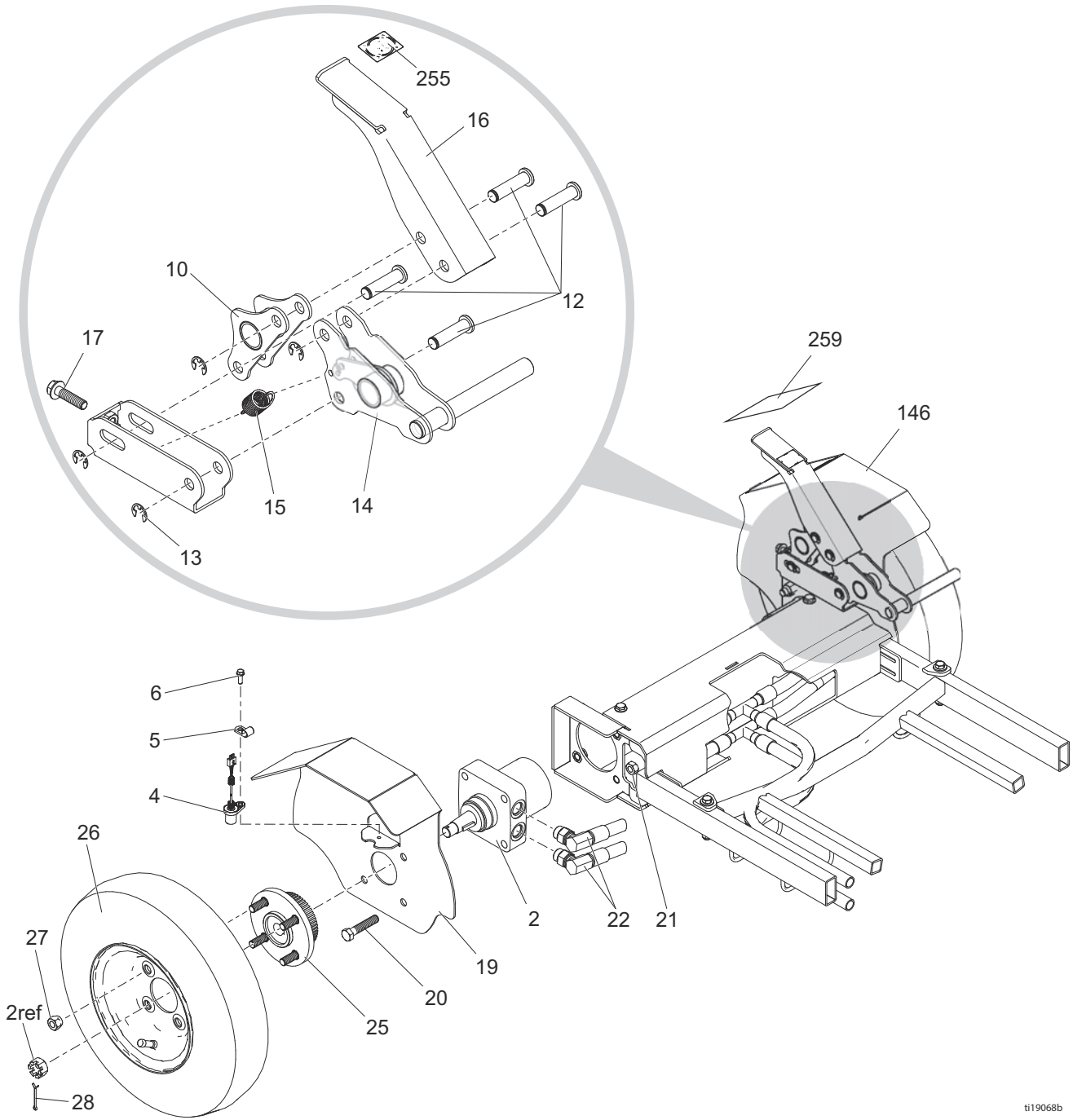


ti28185b

Parts List

Ref.	Part	Description	Qty.	Ref.	Part	Description	Qty.
*9	111040	NUT, lock, insert, nylock, 5/16	4	172b	16M850	BRACKET, cable, gun,	1
*11	24N170	BRACKET, mount, pointer complete	2	172c	17J145	ARM, holder, gun	1
*18	24N171	ARM, pointer, complete	1	172d	119647	SCREW, cap, socket, flthd	2
*32	17H445	INDICATOR, pointer	2	172f	15F750	KNOB, holder, gun	1
33	101566	NUT, lock	4	172g	15F209	STUD, pull, trigger	1
49	24N350	BRACKET, gun arm	1	172h	24Y991	KIT, pivot	1
50▲	16P136	LABEL, injection read manual iso	2	172j	16N788	STUD, cable, gun, circlip	1
*52	111145	KNOB, pronged	5	172k	119664	BEARING, sleeve	1
*86	114653	SCREW, cap, flange hd	4	172m	15F214	LEVER, actuator	1
*87	17H438	WASHER, spring, wave	1	172n	24Y991	KIT, pivot	1
*88	17H441	COLLAR, screw, set	1	173	248157	KIT, accessory, gun, flex	2
*89	114966	KNOB, pronged	2	199	16M671	CABLE, gun, solenoid	2
*90	100527	WASHER, plain	4	226	245798	KIT, repair, hose	2
116	102040	NUT, lock, hex	3	227	188135	GUIDE, cable	2
170	17J407	ARM, extension, bar, weldment	1	228	17J408	ARM, extension, third gun	1
171	24Y645	KIT, clamp	2	229	17J424	EXTENSION, vertical gun arm	2
172	24M638	BAR, gun holder, LLV 250SPS & 250DC	2	236	126111	RETAINER, circlip, external, 8mm	2
				*310	17H719	HOSE, pointer	2
				▲ Replacement warning labels may be ordered free of charge.			
172a	287569	KIT, repair, gun holder (includes 172f, 172k)	1	* Included in Pointer Accessory Kit 24N162			

Parts



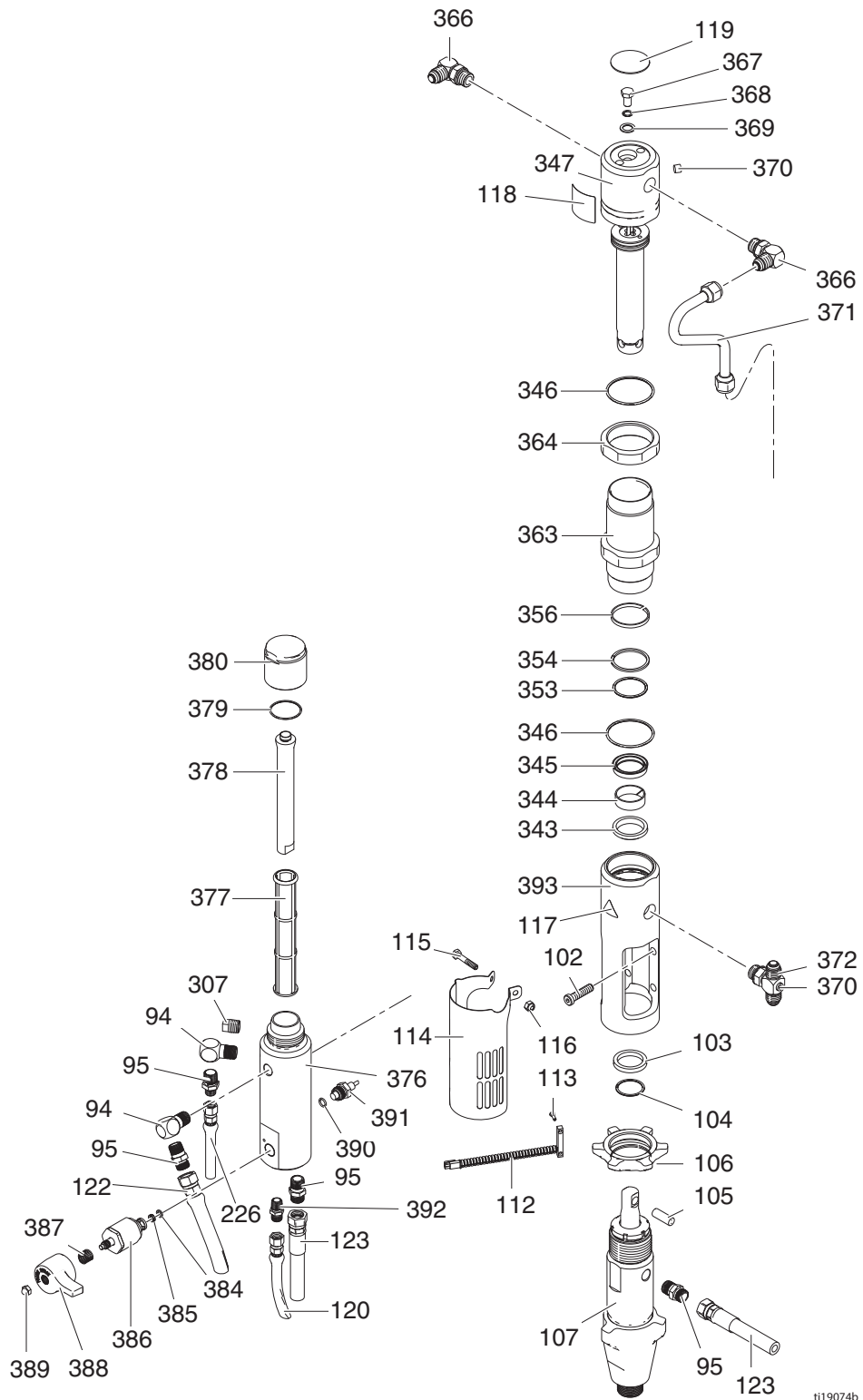
t119068b

Parts List

Ref.	Part	Description	Qty.	Ref.	Part	Description	Qty.
2	125929	MOTOR, wheel	2	20	114766	BOLT, cap hex head	8
4	15K357	SENSOR, distance	1	21	801020	NUT, lock, hex	8
5	108868	CLAMP, wire	1	22	16M271	HOSE, coupled, assembly, LL250	2
6	260212	SCREW, hex washer hd, thd form	1	25	24N508	KIT, repair, hub and gear assy	2
10	24M214	BRACKET, plate, pivot, brake, LL250	1	26	245340	KIT, repair, tire	2
12	16M656	PIN, brake	4	27	125481	NUT, wheel, 1/2-20	8
13	126073	RING, retaining, e ring, 1/2 dia	4	28	100104	PIN, cotter	2
14	24M215	BRACKET, lock, brake, LL250	1	146	16N394	FENDER, wheel, left, LL250, paint	1
15	15V264	SPRING, extension	1	255▲	16P141	LABEL, parking brake icon	1
16	16M743	PEDAL, brake, LL250	1	259▲	16P139	LABEL, multiple hazard iso	1
17	112785	SCREW, hex hd, flanged	1				
19	16M753	FENDER, wheel, right, LL250, paint	1				

▲ Replacement warning labels may be ordered free of charge.

Parts (Pump)



ti19074b

Parts List (Pump)

Ref.	Part	Description	Qty.	Ref.	Part	Description	Qty.
94*	196179	ELBOW, street	2	363	246176	SLEEVE, hydraulic, cylinder (includes 346)	1
95*	196178	ADAPTER, nipple	4	364	15A726	NUT, jam	1
102	107210	SCREW	4	366	117607	FITTING, elbow std thd	2
103	287186	KIT, repair, magnet	1	367	106276	SCREW, cap, hex head	1
104	116551	RING, retaining	1	368	155685	PACKING, o-ring	1
105	197443	PIN, pump	1	369	178179	WASHER, sealing	1
106	193394	NUT, retaining	1	370	100139	PLUG, pipe	2
107	277068	KIT, repair, pump 200HS (includes 95, 103, 104, 105)	1	371	15F519	TUBE, hydraulic, supply	1
112	119720	SWITCH, reed w/connector	1	372	119841	FITTING, tee, branch	1
113	114528	SCREW, mach, phillips, pnhd	2	376*	15H561	MANIFOLD	1
114	15F911	GUARD, pump rod	1	377*	24V455	FILTER, 50 mesh, ultra	1
115	100058	SCREW, cap, hex hd	1	378*	15C766	TUBE, diffusion	1
116	102040	NUT, lock, hex	1	379*	117285	PACKING, o-ring	1
117▲	15H108	LABEL, pinch point	1	380*	287285	KIT, repair, filter cap (includes 378, 379)	1
118	15B804	LABEL, Graco logo	1	384*	193710	SEAL, seat, valve	1
119▲	15B063	LABEL	1	385*	193709	SEAT, valve	1
120	24V064	KIT, repair, suction hose	1	386*	245103	KIT, repair, drain valve (includes 384, 385, 387, 388, 389)	1
122	191239	HOSE, coupled, 3/8 in. x 11 ft	1	387*	114708	SPRING, compression	1
123	245797	KIT, repair, hose	1	388*	15G563	HANDLE, valve	1
226	245798	HOSE, coupled, 1/4 in. x 7 ft	1	389*	116424	NUT, cap	1
307*	15G331	PLUG, pipe	1	390*	111457	PACKING, o-ring	1
343	117739	WIPER, rod	1	391*	24N516	KIT, repair, transducer (includes 390)	1
344	112342	NUT, jam	1	392*	196181	FITTING, nipple	1
345	112561	PACKING, block	1	393	15A728	MANIFOLD, adapter	1
346	117283	PACKING, o-ring	2				
347	288754	KIT, repair, trip rod/piston (includes 118, 119)	1				
353	108014	PACKING, o-ring	1				
354	178226	SEAL, piston	1				
356	178207	BEARING, piston	1				

* Included in Filter Repair Kit 24N517

▲ Replacement warning labels may be ordered free of charge.

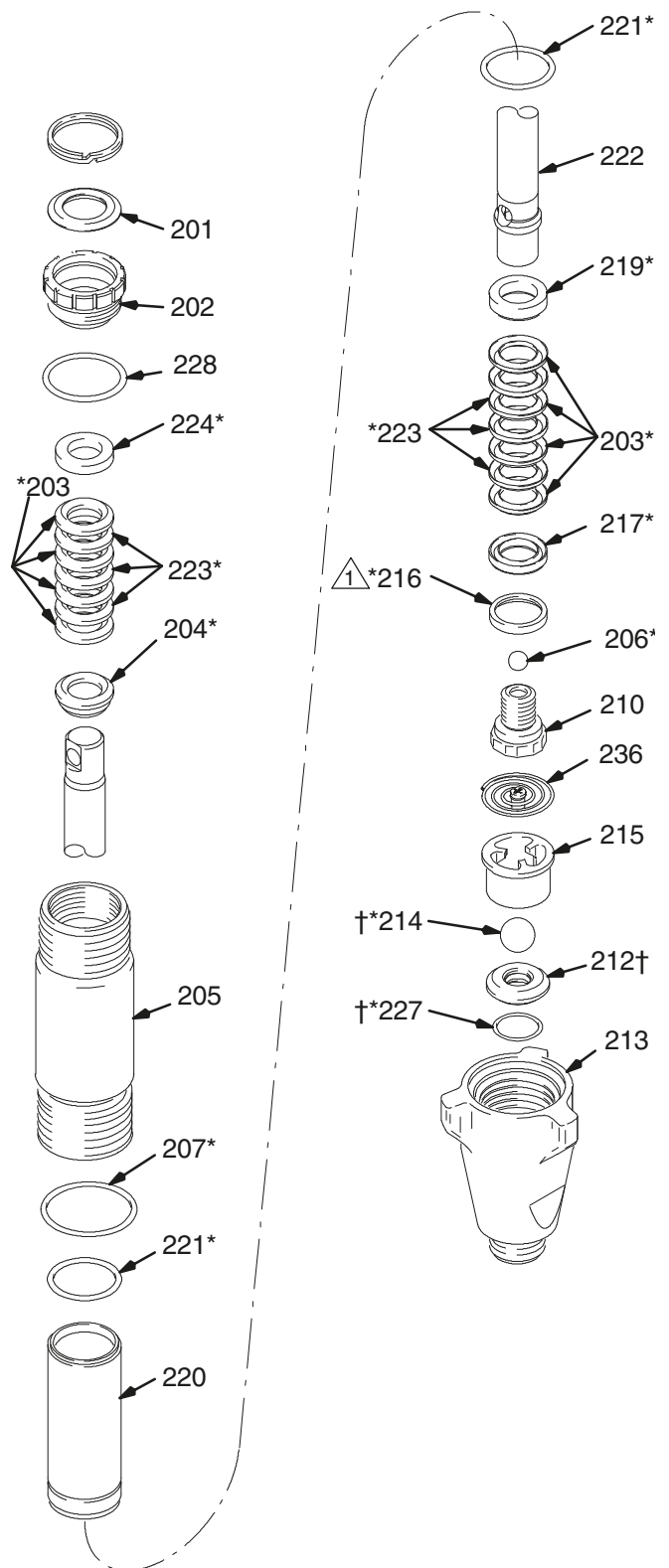
Delar – Pump 248971, 277068

Modell 248971, serie A; 277068, serie A

Refnr	Artikelnr	Beskrivning	Ant.
201	112590	PLUGG	1
202	189589	MUTTER, tätning	1
203*	198701	V-TÄTNING V-Max™ UHMWPE, blå	8
204*	15G658	FÖRSKRUVNING, hane, hals	1
205	245413	CYLINDER, pump	1
206*	107203	KULA, rostfritt stål, 14,2875 mm (0,5625 tum)	1
207*	160325	TÄTNING, o-ring	1
210	240580	VENTIL, kolv	1
212†	240918	SÄTE, hårdmetall inkluderar 214 och 227	1
213	198219	HUS, intag (fot)	1
214*†	107167	KULA, rostfritt stål, 25,400 mm (1,000 tum)	1
215	193391	STYRNING, kula	1
216*	198303	STYRNING, kolv, plast	1
217*	198765	FÖRSKRUVNING, hona, kolv, stål	1
219	189585	FÖRSKRUVNING, tätning, hane, stål	1
220	248979	HYLSA, cylinder	1
	240921	PUMP, 277068	1
221*	108822	TÄTNING, o-ring	1
222	249000	STÅNG, kolv	1
223*	198718	V-TÄTNING, läder, kolv	6
224*	15G657	FÖRSKRUVNING, hona	1
227*†	107098	TÄTNING, o-ring	1
228	157195	DISTANS, o-ring för halsjustering	1
236	233698	FJÄDER, intag	1

* Dessa delar ingår också i reparationssats 246341 som kan beställas separat.

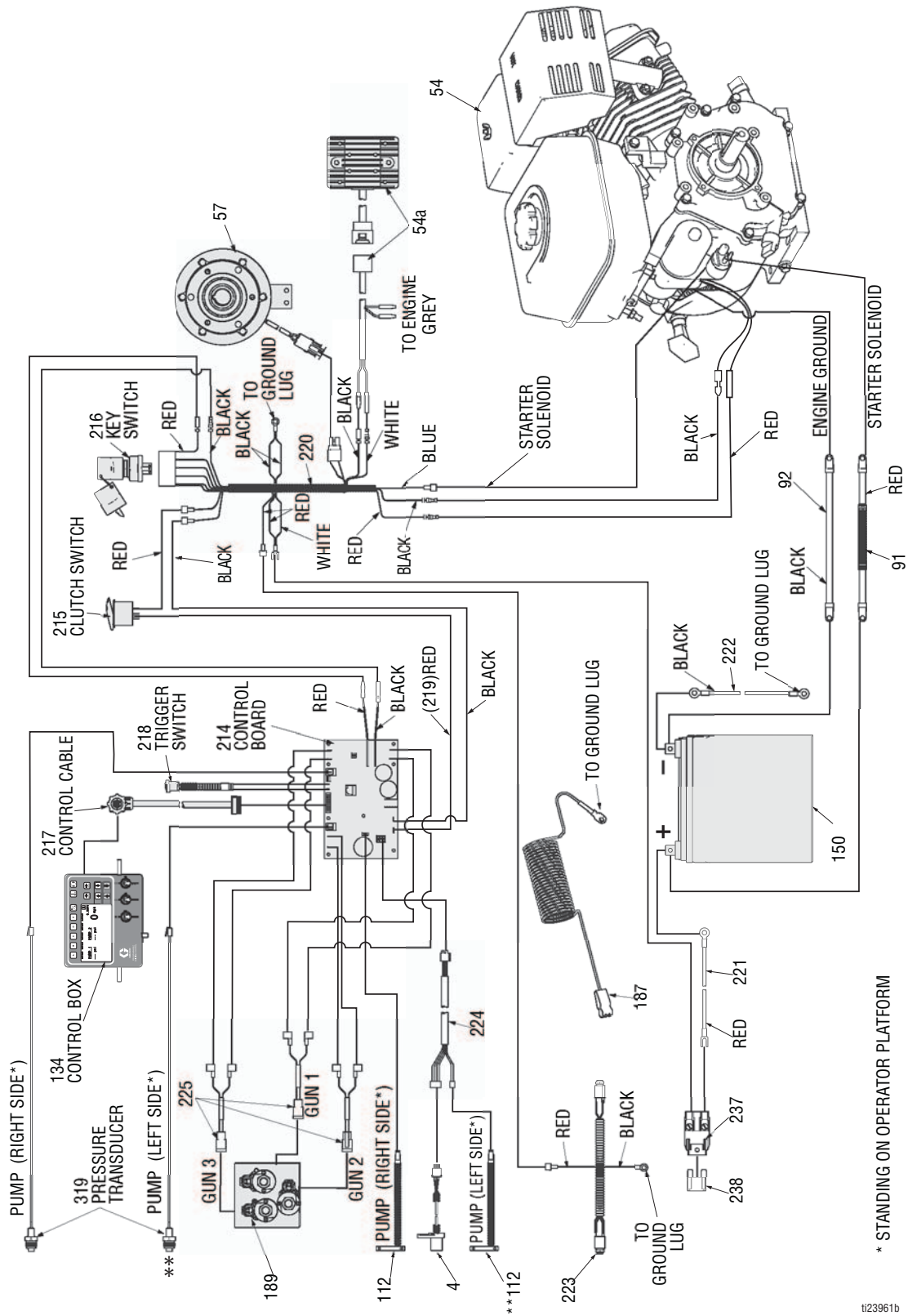
† Dessa delar ingår också i hårdmetallsätessats 240918 som kan beställas separat.



⚠ Montera kolvstyrningen (216) med läppen vänd mot kolven (210)

ti2331a

Wiring Diagram



* STANDING ON OPERATOR PLATFORM

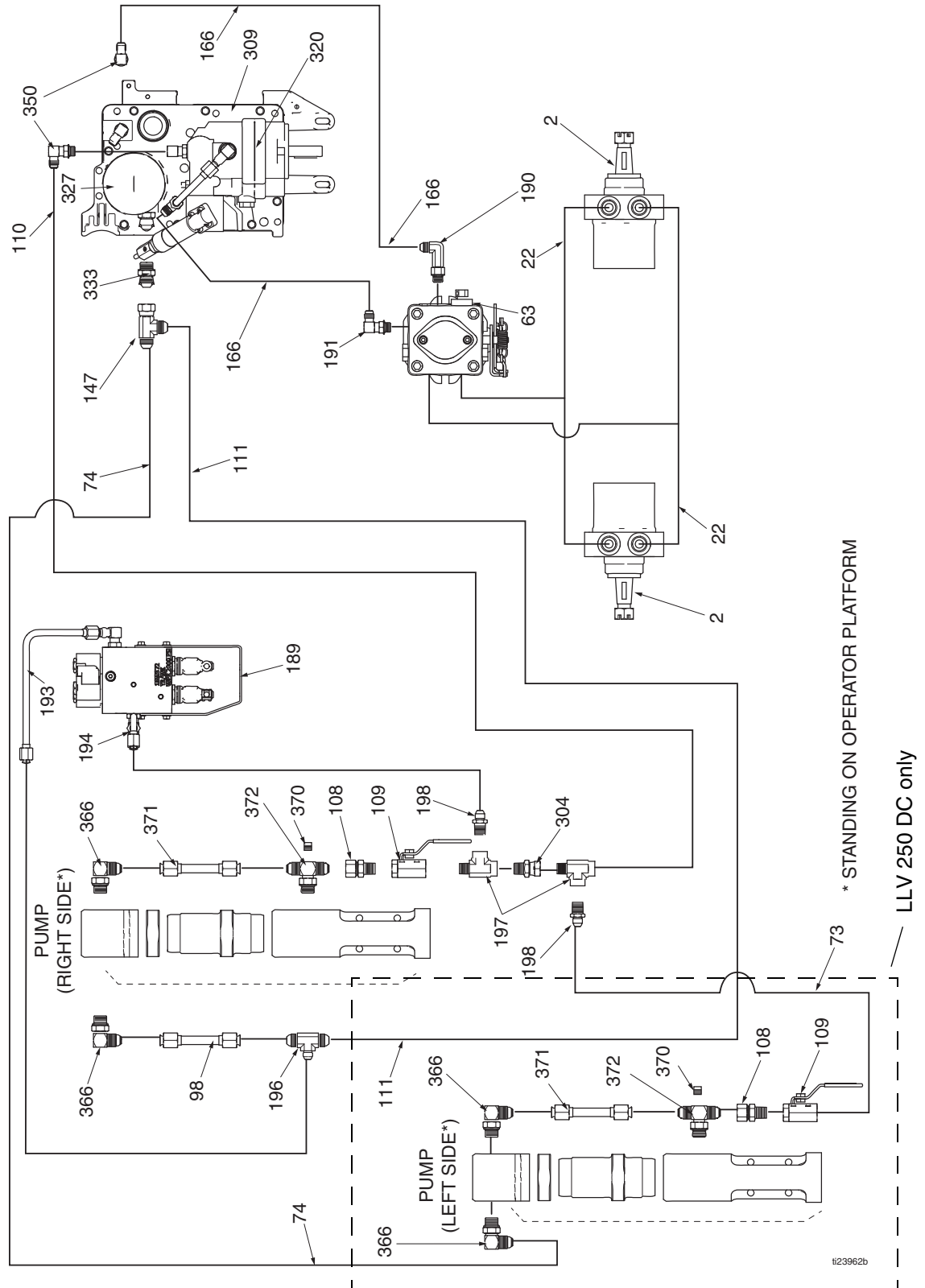
**LLV 250DC only

023961b

Wiring Parts List

Ref.	Part	Description	Qty.	Ref.	Part	Description	Qty.
4	15K357	SENSOR, distance	1	214b	24V561	KIT, repair, control board	1
54	24U562	KIT, repair, engine, GX390 (includes 54a)	1	215	17C063	SWITCH, rocker, SPST	1
54a	24N502	VOTLAGE REGULATOR	1	216	16X075	SWITCH, ignition	1
57	125877	CLUTCH, electric, LL250	1	217	24U233	CABLE, 18 conductor	1
91	16X079	CABLE, battery, positive		218	16N401	SWITCH, pushbutton	1
92	16X080	CABLE, battery, negative		219	17C064	WIRE, positive	1
112	119720	SWITCH, reed w/connector	2	220	16X078	HARNESS, wire, LL250DC	1
134	24U234	CONTROL, box, handlebar (includes 134a, 134b, 134c)	1	221	16N542	WIRE, positive battery	1
134a	24V565	KIT, display, repair	1	222	16N541	WIRE negative battery	1
134b	24V564	KIT, board, toggle switch	1	223	16N540	HARNESS, light connection	1
134c	24V566	KIT, switch, membrane	1	224	16N539	HARNESS, sensor adapter	1
150	115753	BATTERY, 33 AH, sealed	1	225	16N543	HARNESS, wire, hydraulic actuator	3
187	237686	WIRE, ground assembly w/ clamp	1	237	126095	HOLDER, fuse	1
189	24U862	MANIFOLD, hydraulic, three piston	1	238	126096	FUSE, 30A	1
189a	24N577	COIL, solenoid, hydraulic, manifold (included in 189)	2	319	24N516	KIT, repair, transducer	1

Hydraulic Diagram



Hydraulic Parts List

Ref.	Part	Description	Qty.	Ref.	Part	Description	Qty.
2	125929	MOTOR, wheel	2	190	124941	FITTING, long elbow, hydraulic	1
22	16M271	HOSE, coupled, assembly, LL250	2	191	116829	FITTING, 90 degree, w/adjustable	1
63	247930	KIT, repair, hydraulic pump	1	193	24M625	TUBE, supply, hydraulic	1
73	16X838	HOSE, hydraulic, supply 2nd pump	1	194	24M626	TUBE, supply, hydraulic	1
74	16X839	HOSE, hydraulic, return 2nd pump	1	196	126082	FITTING, tee, #8 x #8 x #6 JIC	1
98	16P776	TUBE, supply, hydraulic	1	197	126080	FITTING, tee, street	2
108	117328	FITTING, nipple, straight	2	198	126081	FITTING, nipple, 3/8-18 x #6 JIC	2
109	117441	VALVE, ball	2	304	155665	UNION, adapter	1
110	287175	KIT, repair, hose, hydraulic supply	1	309	16M160	COVER, reservoir, LL250, painted	1
111	287176	KIT, repair, hose, hydraulic return	1	320	16X083	KIT, repair, pump, 250SPS	1
147	124770	FITTING, tee, 1/2 JIC, swivel	1	327	246173	KIT, repair, oil filter	1
166	16M276	HOSE, coupled, feed line, LL250	2	333	120184	FITTING, hydraulic	1
189	24U862	MANIFOLD, hydraulic, three piston (includes three 189a, 189b and 189c)	1	350	116829	FITTING, 90 degree, w/adjustable o-ring	2
189a	24N577	COIL, solenoid, hydraulic, manifold	1	366	117607	FITTING, elbow std thd	4
189b	24N490	KIT, repair, solenoid (includes 189a)	1	370	100139	PLUG, pipe	2
189c	24V560	KIT, repair, actuator piston	1	371	15F519	TUBE, hydraulic, supply	2
				372	119841	FITTING, tee, branch	2