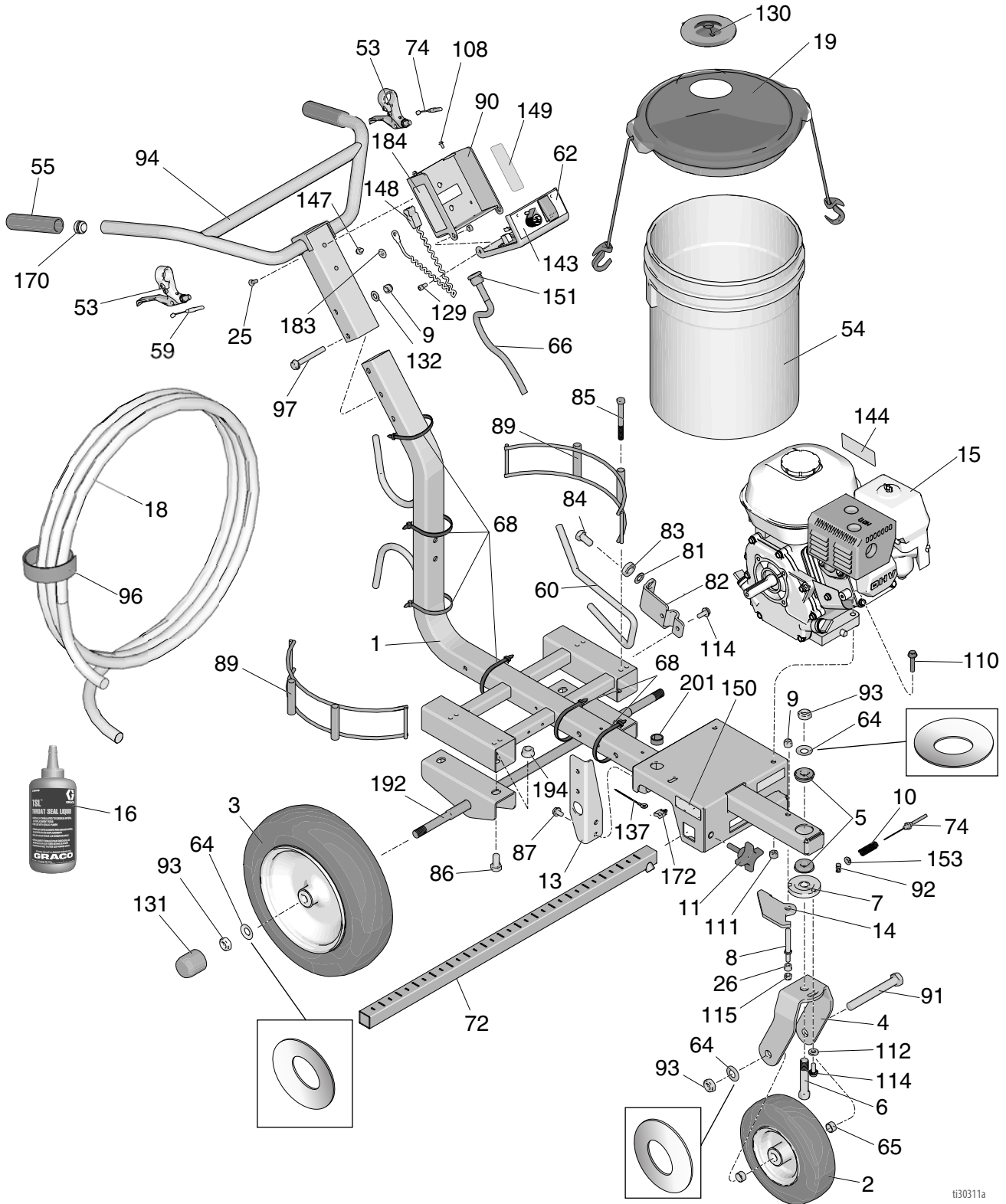


Parts Drawing

25M224



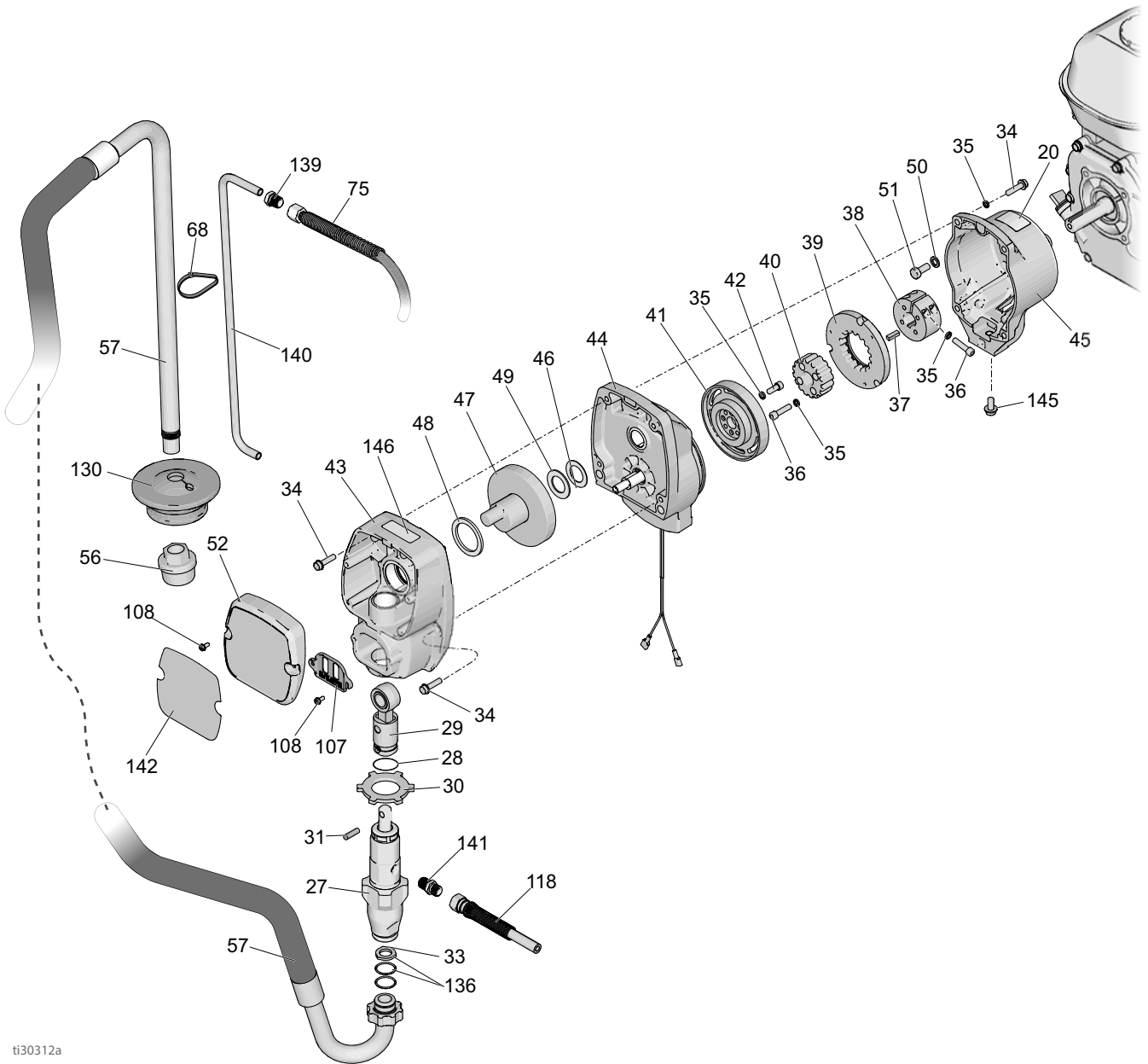
ti30311a

Parts List - 25M224

Ref.	Part	Description	Qty	Ref.	Part	Description	Qty
1	17N510	FRAME, LL	1	91	113665	SCREW, cap, hex hd	1
2	119542	WHEEL, small	1	92	114802	WIRE, stop	1
3	119543	WHEEL, large	2	93	119554	NUT, lock, nylon, thin pattern	4
4	15F127	FORK, painted	1	94	24Z284	BAR, handle, LL	1
5	119532	BEARING, flanged	2	96	114271	STRAP, hose wrap	1
6	15E780	PIN, fork	1	97	116935	SCREW, cap, flng hd	2
7	15E773	DISK, adjuster	1	108	128978	SCREW, 8-32 hex washer head	6
8	15E792	PIN, lever	1	110	112960	SCREW, flange, hex	2
9	101566	NUT, lock	3	111	110838	NUT, lock	2
10	114682	SPRING, compression	1	112	122669	WASHER, flat, extra thick	1
11	108471	KNOB, pronged	1	114	110963	SCREW, cap, flng hd	3
13	15E748	BRACKET, manifold	1	115	111040	NUT, lock, insert, nylock, 5/16 in.	1
14	108879	LEVER, caster, includes 26	1	129	101550	SCREW, cap, sch	2
15	108879	ENGINE, gasoline, 4.0 hp	1	130	278723	GASKET, pail	1
16	238049	FLUID, TSL, 4 oz.	1	131	15C871	CAP, leg	2
18	249080	HOSE, coupled, 1/4 in. x 50 ft, nickel	1	132	100731	WASHER	2
19	24U241	KIT, pail cover	1	137	119579	CONDUCTOR, ground	1
25	108538	SCREW, cap, flathead	2	143	17H684	LABEL, LL3400	1
26	111016	BEARING, flange	1	144▲	194126	LABEL, warning	1
53	194310	LEVER, actuator	2	147	107257	SCREW, thread forming, hex hd	1
54	115077	PAIL, plastic	1	148	237686	WIRE, ground assembly w/ clamp	1
55	116139	GRIP, handle	2	149▲	17K394	LABEL, safety, warning, fire & explosion	1
59	15E992	CABLE, gun	1	150▲	16P136	LABEL, safety, warning	1
60	15E993	ROD, brake	1	151	15F928	BUSHING, strain relief	1
62	287565	COVER, control box, assy	1	153	111025	GASKET, polypropylene	1
64	119563	WASHER, belleville	4	170	120151	PLUG, tube	2
65	15E996	SPACER, wheel	2	172	117727	CLIP, wire	1
66	15E995	HARNESS, wiring, control	1	183▲	16W503	LABEL, safety, ground symbol	1
72	17J407	BRACKET, support, gun	1	184▲	17K392	LABEL, safety, warning, injection	1
74	241445	CABLE, caster	1	▲	222385	LABEL, warning, medical alert (not shown)	1
81	195134	SPACER, ball, guide	1	192	24Z605	AXLE, weldment	1
82	198891	BRACKET, mounting	1	194	112731	NUT, hex, flanged	4
83	198931	BEARING	1	201	129528	GROMMET, split, 1" hole	1
84	113961	SCREW, cap, hex hd	1				
85	867517	SCREW, hex head, 3/8-16 x 3.5"	4				
86	111802	SCREW	4				
87	111801	SCREW, cap, hex, hd	4				
89	17N536	HOLDER, bucket	2				
90	15F047	CONTROL, box	1				

▲ Replacement Danger and Warning labels, tags, and cards are available at no cost.

Parts Drawing



ti30312a

Parts List - 25M224

Ref.	Part	Description	Qty	Ref.	Part	Description	Qty
20	16D576	LABEL, made in USA	1	49	107434	BEARING, thrust	1
27	246428	PUMP, displacement	1	50	100214	WASHER, lock	4
28	196750	SPRING, retaining	1	51	108842	SCREW, cap, hex hd	4
29	287053	ROD, connecting	1	52	287487	COVER, front, painted	1
30	195150	NUT, jam, pump	1	56	246385	STRAINER, 7/8-14 unf	1
31	196762	PIN, straight	1	57	17M875	HOSE, suction, includes 33, 136	1
33†	115099	WASHER	1	68	404989	STRAP, tie	6
34	119426	SCREW, mach, hex washer hd	8	75	249232	HOSE, cpld, 1/4 in. X 3.0 ft	1
35*	105510	WASHER, lock, spring (hi-collar)	10	107	15B589	COVER, pump rod	1
36*	108803	SCREW, hex, socket head	6	118	249149	HOSE, coupled, 1/4 in. X 22.25 in.	1
37	183401	KEY, parallel	1	136†	117559	O-RING	2
38	193680	COLLAR, shaft	1	139	196180	BUSHING	1
39*		ARMATURE, clutch, 4 in.	1	140	16X071	TUBE, drain	1
40*		HUB, armature	1	141	196181	FITTING, nipple	2
41*		ROTOR, clutch, 4 in.	1	142	17H685	LABEL, pump, LL3400	1
42*	101682	SCREW, cap, sch	4	145	112395	SCREW, cap, flng hd	1
43	287483	HOUSING, drive, includes 34	1	146▲	290228	LABEL, warning	1
44	287376	HOUSING, pinion	1				
45	15E535	HOUSING, clutch, machine	1				
46	116074	WASHER, thrust	1				
47	287484	CRANK, GMAX 3400, includes 46, 48, 49	1				
48	180131	BEARING, thrust	1				

▲ Replacement Danger and Warning labels, tags, and cards are available at no cost.

* Included in Clutch Replacement Kit 241109

† Included in Suction Hose Kit 17M875

Dele / Osat / Deler / Reservdelar – 246428

Ref No.	Part No.	Description	Qty.
201	249125	ROD, displacement, includes 212	1
202	180656	BUTTON, plug	1
203	193047	NUT, packing	1
204*	176757	GLAND, female, throat	1
205*	176754	GLAND, male, throat	1
206	243176	CYLINDER, pump	1
207*	105444	BALL, sst; 8 mm	1
208*	195129	GLAND, male, piston	1
209*	180073	GLAND, female, piston	1
211*	196759	GUIDE, piston	1
212	239937	VALVE, piston (included with 201)	1
213	15C011	GUIDE, ball	1
215†	246429	KIT, seat, carbide	1
216	15B611	VALVE, intake housing	1
217*	15B112	PACKING, o-ring (23,9 mm; 0,941 in. OD)	1
218*†	105445	BALL, sst; 12,7 mm	1
219*	108526	O-RING, PTFE	1
220*	117459	O-RING	1
221*	176755	V-PACKING; leather, throat	2
222*	192710	V-PACKING, throat, V-Max™ UHMWPE, blue	3
223*	176749	V-PACKING; leather, piston	2
224*	192712	V-PACKING, piston V-Max™ UHMWPE, blue	3
225	162453	NIPPLE, 1/4 npsm x 1/4 npt	1
226	119789	FITTING, elbow, street, 45°, 1/4 npt	1

* Er også indeholdt i sæt 244194

† Er også indeholdt i sæt 246429

* Sisältyy myös sarjaan 244194

† Sisältyy myös sarjaan 246429

* Er også inkludert i sett 244194

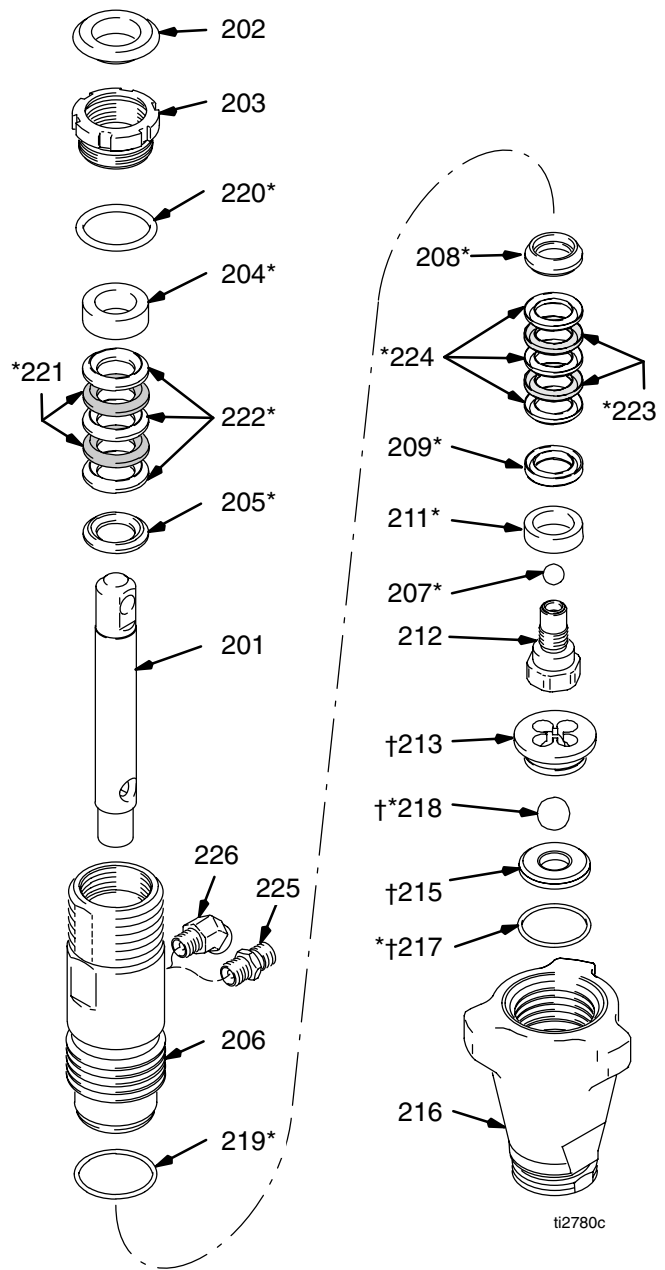
† Er også inkludert i sett 246429

* Ingår också i sats 244194

† Ingår också i sats 246429

Tekniske data / Tekniset tiedot / Tekniske data / Teknisk specifikation

Maksimalt arbejdstryk / Suurin käyttöpainne / Maksimalt
arbejdstrykk / Maximalt arbetstryck 228 bar (23 MPa)
Væskeindgangstørrelse / Nesteen sisääntuloaukon koko /
Dimensjon væskeinntak / Dimension vätskeintag 3/4" npt (m)
Væskeafgangstørrelse / Nesteen ulostuloaukon koko /
Dimensjon væskeutløp / Dimension vätskeutløpp 1/4" npt (f)
Våddele rustfritt stål, PTFE, læder,
nylon, forsinket kulstofstål, hårdmetal,
krom, UHMWPE, Acetal, polyetylen, nylon
Kastuvrat osat ruostumaton teräs, PTFE, nahka,
nailon, sinkitty hiiliteräs, volframkarbidi,
kromaus, UHMWPE, Acetal, polyeteeni, nailon
Väte deler rustfritt stål, PTFE, lær,
nylon, sinkbelagt karbonstål, wolframkarbid,
kromoverdrag, UHMWPE, Acetal, polyetylen, nylon
Material i delar som kommer i kontakt med vätskan rustfritt stål, PTFE,
läder, nylon, förzinkat kolstål, volframkarbid,
förokromning, UHMWPE, Acetal, polyetylen, nylon



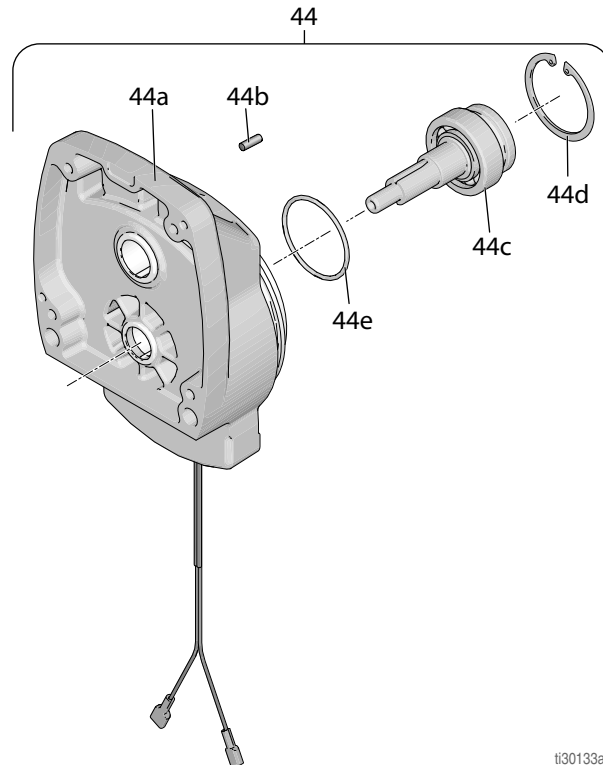
ti2780c

Parts Drawing and List - Pinion Housing

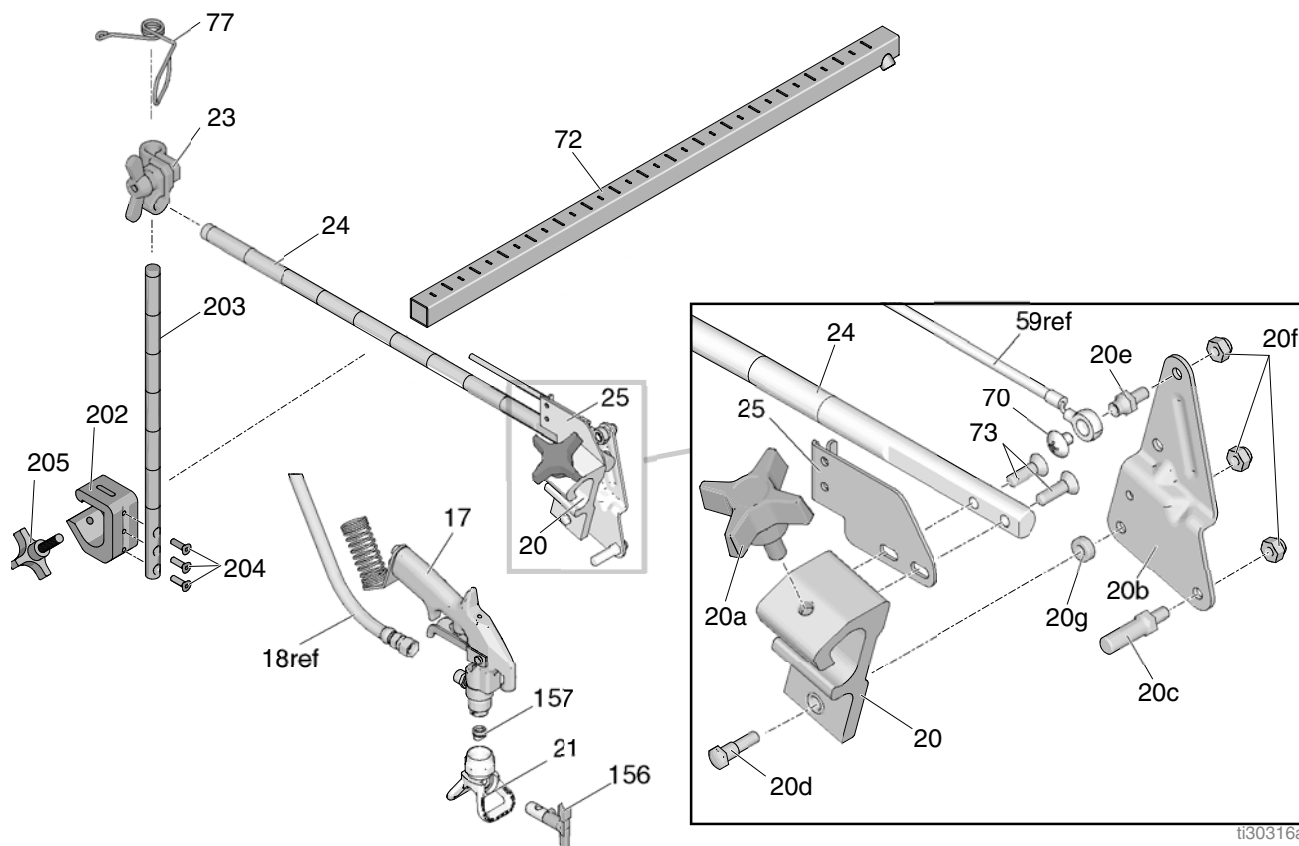
Ref No. 44: Pinion Housing

Ref.	Part	Description	Qty
44	287376	PINION HOUSING	1
44a	287482	KIT, repair, coil	1
44b	105489	PIN	2
44c*	287485	PINION SHAFT	1
44d*	113094	RETAINING RING, large	1
44e*	165295	O-RING, packing	1

* May be ordered separately



Gun Arm Parts



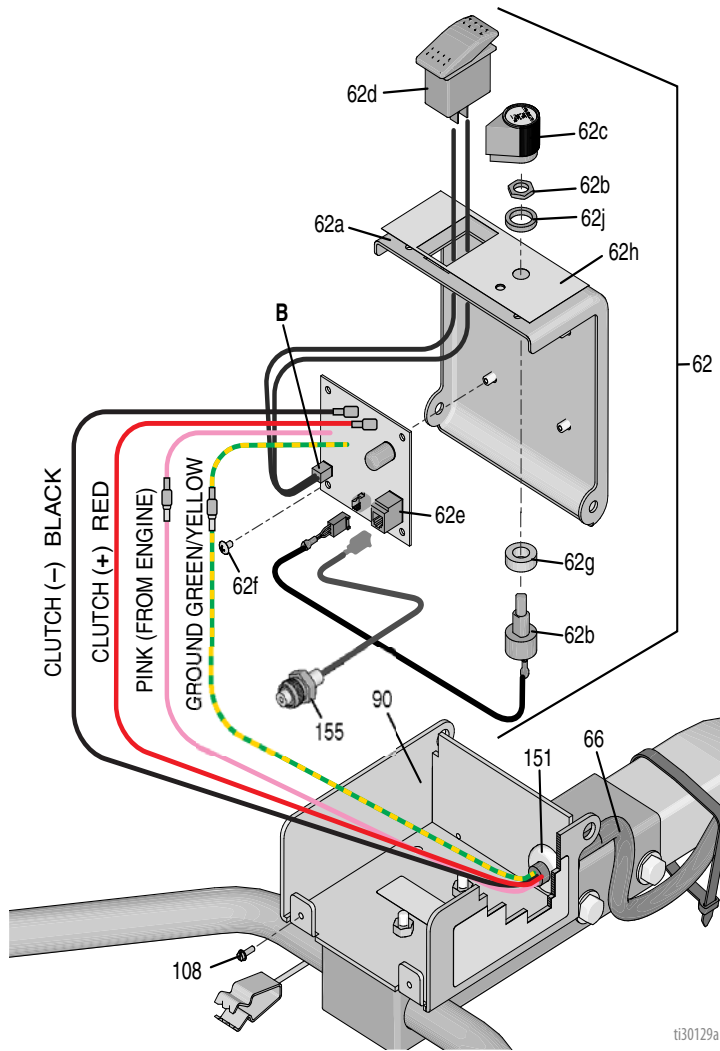
ti30316a

Ref	Part	Description	Qty	Ref	Part	Description	Qty
17	248157	GUN, flex	1	72	17J407	BRACKET, support gun	1
20	15F216	HOLDER, gun	1	73	119647	SCREW, cap, socket, flthd	2
20a*	15F750	KNOB, holder, gun	1	77	188135	GUIDE, cable	1
20b*	15F214	LEVER, actuator	1	156	LL5319	TIP, spray, striping, includes 157	1
20c*	15F209	STUD, pull trigger	1	*17H720	STRAP, tie, 5 in.		3
20d*†	17J575	FASTENER, special	1	202	17J424	BAR, height, adjustment, assy, includes 203, 204, 205	1
20e*	15F211	STUD, cable	1	203	17J139	BAR, gun, holder	1
20f*†	102040	NUT, lock	3	204	113428	SCREW, machine	3
20g*†	17J576	SPACER, special	1	205	108471	KNOB, pronged	1
21	243161	GUARD, Rac V	1				
23	24Y645	KIT, clamp	1				
24	17J145	ARM, holder, gun	1				
25*	15F213	BRACKET, cable	1				
70	*119648	SCREW, mach, trusshd, cross recess	1				

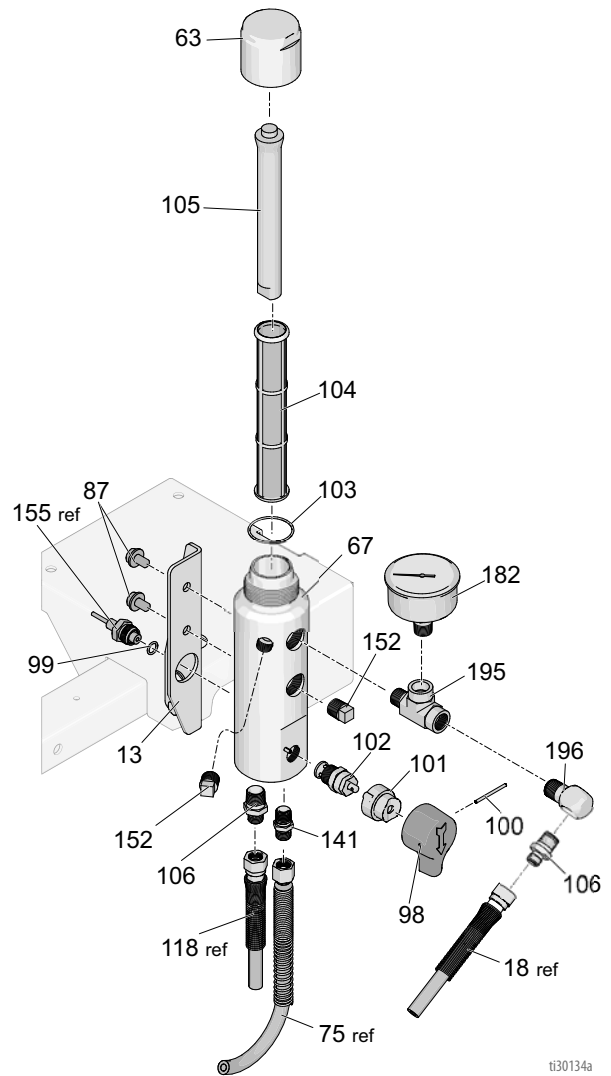
* Included in Gun Holder Repair Kit 25A528

† Included in 4-finger Gun Kit 24Y991

Pressure Control/Filter Assembly



ti30129a



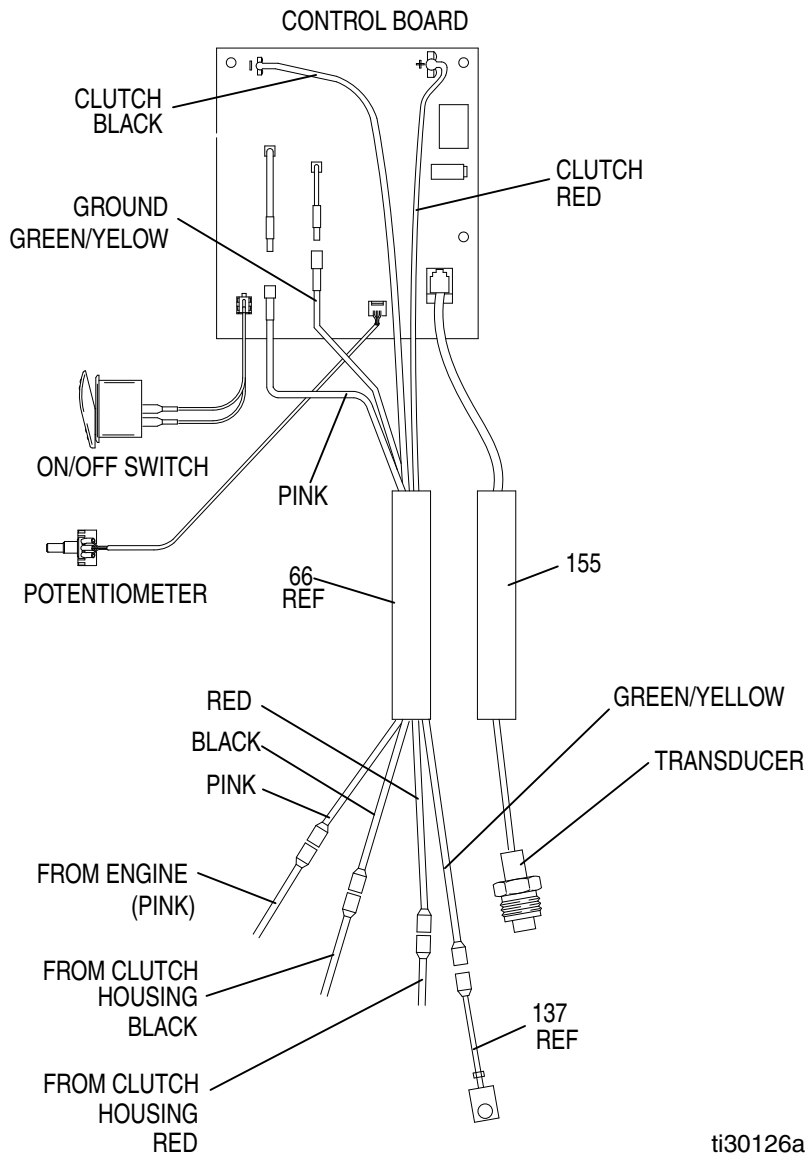
ti30134a

Parts List - Pressure Control/Filter Assembly

Ref	Part	Description	Qty	Ref	Part	Description	Qty
13	15E748	BRACKET, manifold	1	100*	15C972	PIN, grooved	1
62a	15E991	COVER, control box	1	101*	224807	BASE, valve	1
62b	256219	POTENTIOMETER	1	102*	239914	VALVE, drain	1
62c	116167	KNOB, potentiometer	1	103*	117285	O-RING	1
62d	116752	SWITCH, rocker	1	104*	243984	FILTER, fluid	1
62e	287486	BOARD, control,	1	105*	15C766	TUBE, diffusion	1
62f	113045	SCREW, sems, mach, phillips, truss	4	106	196177	ADAPTER, nipple	2
62g	198650	SPACER, shaft	2	141	196181	FITTING, nipple	1
62h	15F540	LABEL, controls	1	152*	15G331	PIPE, plug, sst	2
62j	15C973	GASKET	1	155*	15F782	HARNESS, transducer, line striper	1
63*	287285	CAP, manifold, includes 103, 105	1	182	804582	GAUGE, pressure fluid	1
67*	17K166	MANIFOLD, filter	1	195	124490	FITTING, tee	1
87	111801	SCREW, cap, hex hd	4	196	196179	FITTING, elbow	1
98*	15C780	HANDLE	1				
99*	111457	O-RING	1				

* Included in Filter Repair Kit 24Z867

Pressure Control Wiring Diagram



ti30126a