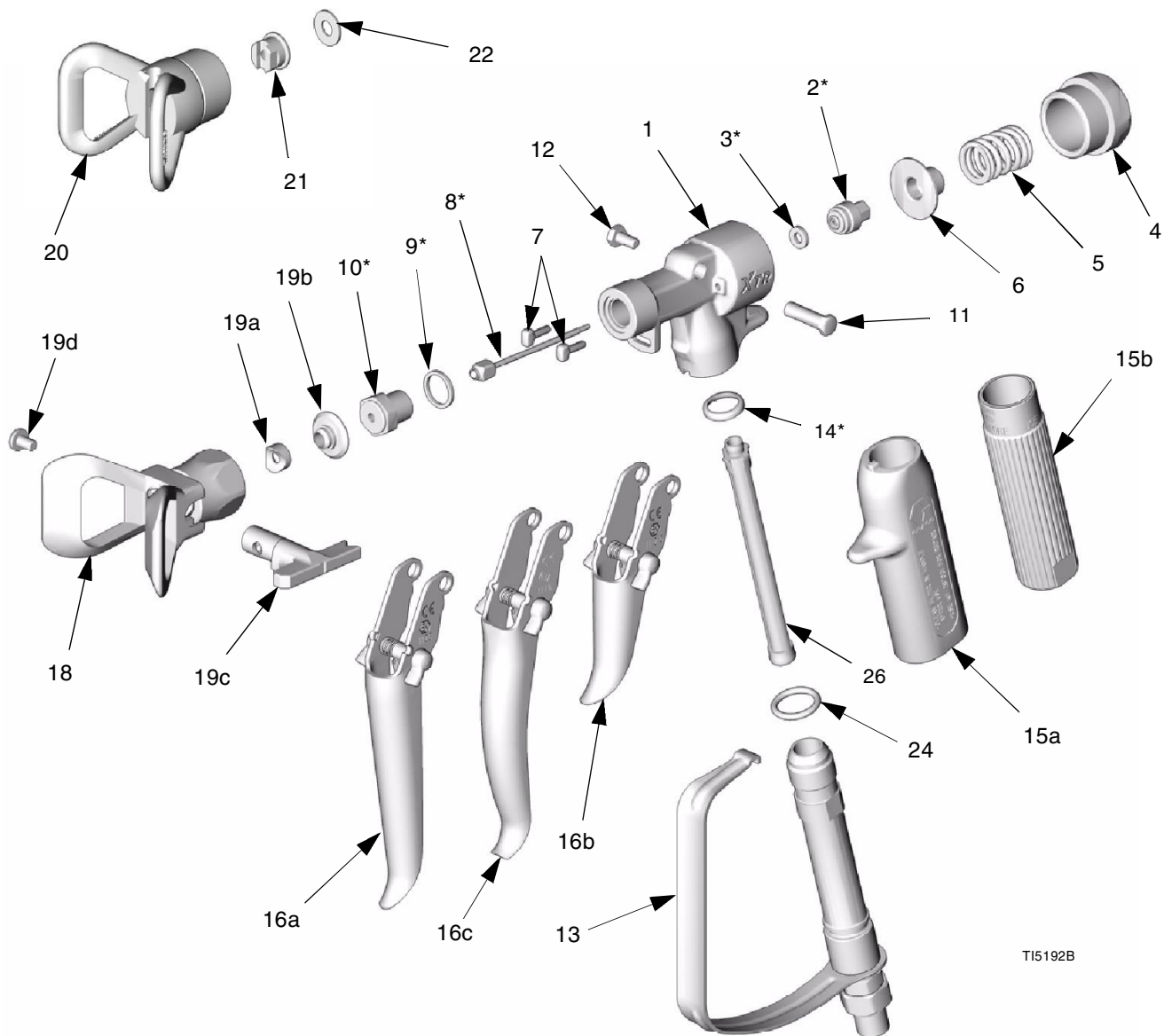


XTR 7 Parts / Pièces composant le XTR 7 / Teile XTR 7 / Piezas de la XTR 7



TI5192B

XTR 7 Parts List / Nomenclature XTR 7 / Teileliste XTR 7 / Lista de piezas de la XTR 7

Part Nos. 248609, 248610, 248611, 248612, 248613, 248614

Réf. No: 248609, 248610, 248611, 248612, 248613, 248614

Teile-Nr. 248609, 248610, 248611, 248612, 248613, 248614

Ref. piezas: 248609, 248610, 248611, 248612, 248613, 248614

Ref. No.	Part No.	Description	Qty.	Ref. No.	Part No.	Description	Qty.
1	15E178	BODY, gun	1	22†	166969	TIP, gasket (248610 only)	1
2*	----	SEAL, retainer assembly	1	24	119740	O-RING, packing (included with item 13)	1
3*	----	GASKET	1	26	287032	FILTER, 60 mesh (included with gun)	1
4	15A864	CAP, end	1		287033	FILTER, 100 mesh	
5	117350	SPRING, compression	1		287034	FILTER, 60 and 100 mesh combo	
6	15E088	RETAINER, needle	1	29▲	222385	WARNING CARD	1
7	15E085	PIN, actuator	2	34▲	187346	WARNING TAG	1
8*	----	STEM, valve	1	35*	194744	TOOL, installation, packing	1
9*	156766	GASKET	1	<p>* Parts included in Repair Kit 248837, purchased separately. Installation tool (35) included. <i>Pièces comprises dans le kit de réparation 248837, achetées séparément. Outil de montage (35) compris.</i> <i>Teile, die im separat erhältlichen Reparatursatz 248837 enthalten sind. Ein Installationswerkzeug (35) ist im Satz enthalten.</i> <i>Incluidas en el kit de reparación 248837, que puede ser comprado por separado. Se incluye la herramienta de instalación (35).</i></p> <p>▲ Replacement Danger and Warning labels, tags, and cards are available at no cost. <i>Des étiquettes, plaques et fiches de danger et de mise en garde de rechange sont mises à disposition gratuitement. Zusätzliche Gefahren- und Warningschilder, Aufkleber und Karten sind kostenlos erhältlich.</i> <i>Se encuentran disponibles etiquetas de peligro y de advertencia, adhesivos y tarjetas de recambio sin cargo alguno.</i></p>			
10*	----	SEAT, valve	1				
11	----	PIN, pivot (included with items 16a, 16b, 16c)	1				
12	----	SCREW, cap hex hd (included with items 16a, 16b, 16c)	1				
13	248952	HANDLE, tube assembly (includes item 24) swivel included, not sold separately	1				
14*	179733	SEAL, sleeve	1				
15a	276997	HANDLE, gun (see table below)	1				
15b	15E083	HANDLE, gun (see table below)	1				
16a	287449	TRIGGER (see table below)	1				
16b	287450	TRIGGER (see table below)	1				
16c	287451	TRIGGER (see table below)	1				
18	245994	RETAINER, RAC tip (not included with 248610)	1	<p>† Parts included in Kit 240251, purchased separately. <i>Pièces incluses dans le kit 240251 acheté séparément.</i> <i>Diese Teile sind im Reparatursatz 240251 enthalten, der separat zu bestellen ist.</i> <i>Estas piezas están incluidas en el kit de reparación 240251, que se puede adquirir por separado.</i></p>			
19	GHDxxx	SWITCH, tip 519 size included (includes items 19a - 19d) (see table below)	1				
19a	----	SEAL, fluid	1				
19b	----	GASKET	1				
19c	----	TIP, spray hd RAC	1				
19d	----	SCREW, mach pn h	1				
20†	220222	TIP, guard (248610 only)	1				
21	163519	SPRAY TIP, flat, 519 size (248610 only)	1				

Gun Part No. No. réf. Pistolet Teile-Nr. Pistole Ref. pieza de la pistola	Reference Nos. / N° de repère / Pos.-Nr. / N° referencia					
	15a	15b	16a	16b	16c	19
248609		✓	✓			
248610		✓	✓			
248611	✓				✓	✓
248612	✓			✓		✓
248613		✓	✓			✓
248614		✓		✓		✓