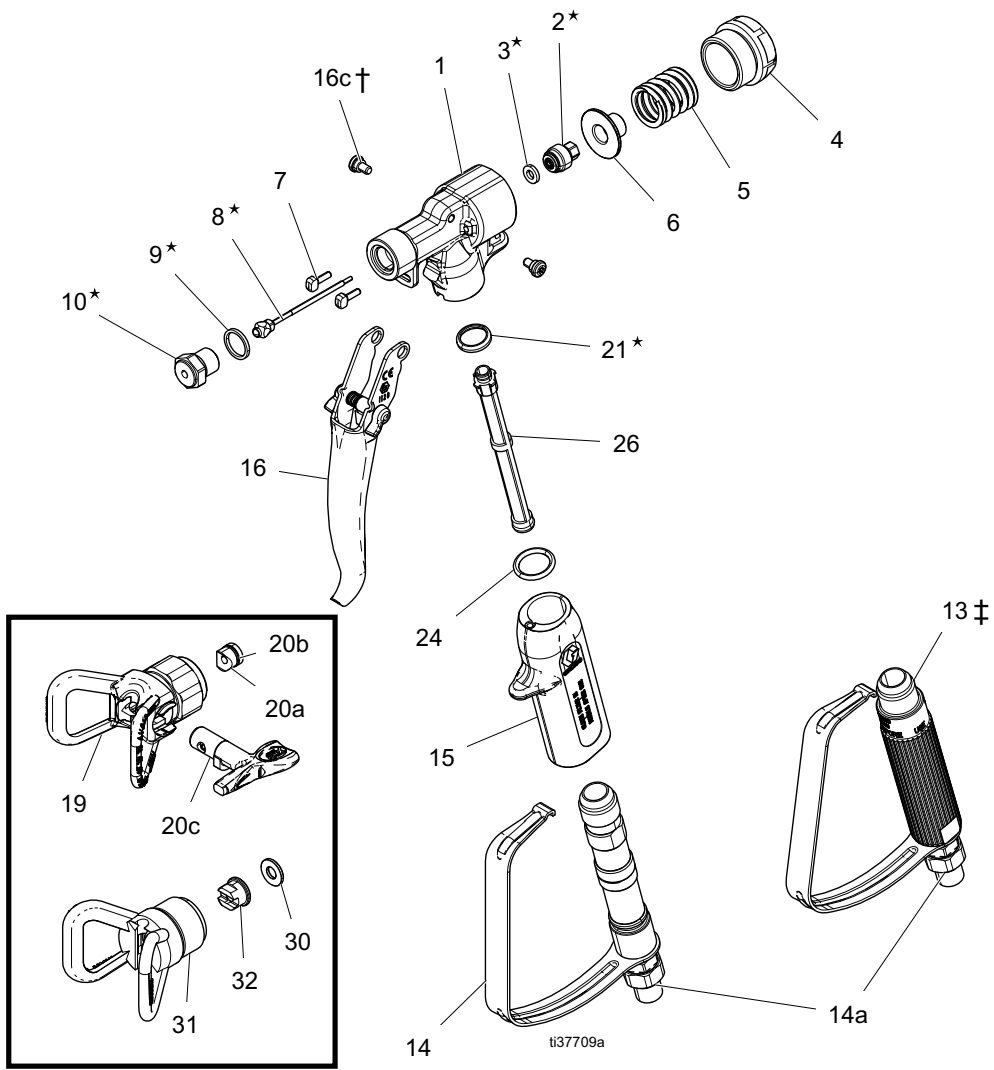


Parts

Parts

XTR5+



XTR5+ Parts List

Ref.	Part	Description	Quantity						
			XTR520	XTR521	XTR522	XTR523	XTR524	XTR525	XTR530
1	19B236	BODY, gun	1	1	1	1	1	1	1
2*	245881	SEAL, retainer assembly	1	1	1	1	1	1	1
3*	---	GASKET	1	1	1	1	1	1	1
4	19B237	CAP, end	1	1	1	1	1	1	1
5	117350	SPRING	1	1	1	1	1	1	1
6	15E088	RETAINER, needle	1	1	1	1	1	1	1
7	15E085	PIN, actuator	2	2	2	2	2	2	2
8*	18C010	NEEDLE	1	1	1	1	1	1	1
9*	156766	GASKET	1	1	1	1	1	1	1
10*	245858	SEAT, valve	1	1	1	1	1	1	1
13‡	255275	HANDLE; includes trigger guard and swivel	1	1			1	1	1
14	248952	HANDLE KIT			1	1			
14a★	---	SWIVEL							
15	276997	HANDLE SLEEVE, insulated			1	1			
16†	287449	TRIGGER KIT, 4-finger, straight; includes 16c	1	1			1		1
	287451	TRIGGER KIT, 4-finger, curved; includes 16c			1				
	287450	TRIGGER KIT, 2-finger; includes 16c				1		1	
16c†	117602	SCREW, shoulder, #8-32	2	2	2	2	2	2	2
19	XHD001	GUARD, RAC tip	1		1	1	1	1	1
20	XHDxxx	SWITCH, RAC tip; 519 size included			1	1	1	1	
	XHDxxx	SWITCH, RAC tip; 529 size							1
20a√	---	SEAL, fluid			1	1	1	1	1
20b√	---	GASKET			1	1	1	1	1
20c	---	TIP, spray, XHD RAC			1	1	1	1	1
21*	179733	SEAL, sleeve	1	1	1	1	1	1	1
24	119740	O-RING			1	1			
26	287032	FILTER, 60 mesh included with gun	1	1	1	1	1	1	
	287034	FILTER, 60 mesh and 100 mesh combo	1	1	1	1	1	1	
29▲	222385	CARD, medical alert (not shown)	1	1	1	1	1	1	1
30	166969	GASKET		1					
31	220251	GUARD, flat tip		1					
32	163519	TIP, flat		1					

--- Not for sale

▲ Replacement safety labels, tags, and cards are available at no cost.

* Parts included in Repair Kit 273141 purchased separately.

† Trigger kit (16) includes mounting hardware for either XTR5 or XTR7 gun.

‡ Handle is not pressure rated for use with the XTR 7. For an XTR 7, order handle 248952 and sleeve 276997 or 15E083 depending on your model.

√ Included in OneSeal™ Repair Kit XHD010 (5 each per package, purchase separately).

★ Do not remove swivel. If the swivel needs to be replaced, order replacement handle kit 248952.