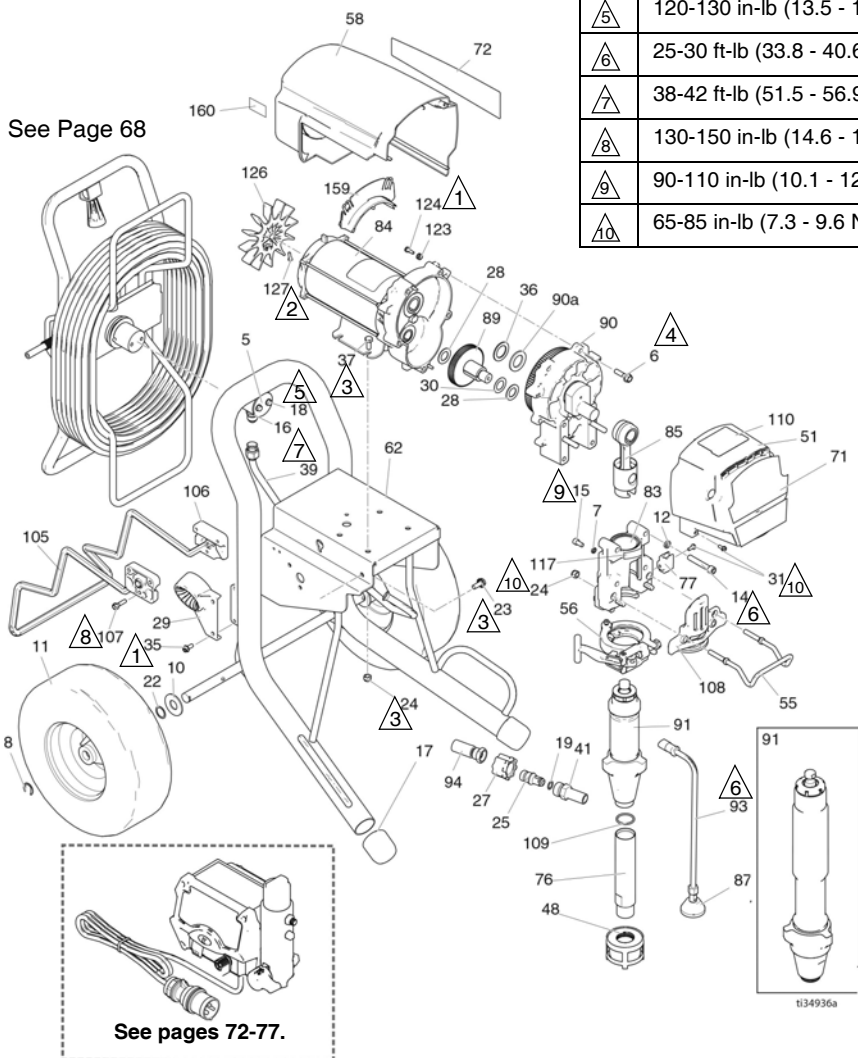


Diagrams and Parts

1095/1595/Mark V/Mark VII ProContractor

Ref.	Torque
①	40-45 in-lb (4.5 - 5.0 N•m)
②	9-11 in-lb (1.0 - 1.2 N•m)
③	200-230 in-lb (22.6 - 25.9 N•m)
④	190-210 in-lb (21.4 - 23.7 N•m)
⑤	120-130 in-lb (13.5 - 14.6 N•m)
⑥	25-30 ft-lb (33.8 - 40.6 N•m)
⑦	38-42 ft-lb (51.5 - 56.9 N•m)
⑧	130-150 in-lb (14.6 - 16.9 N•m)
⑨	90-110 in-lb (10.1 - 12.4 N•m)
⑩	65-85 in-lb (7.3 - 9.6 N•m)



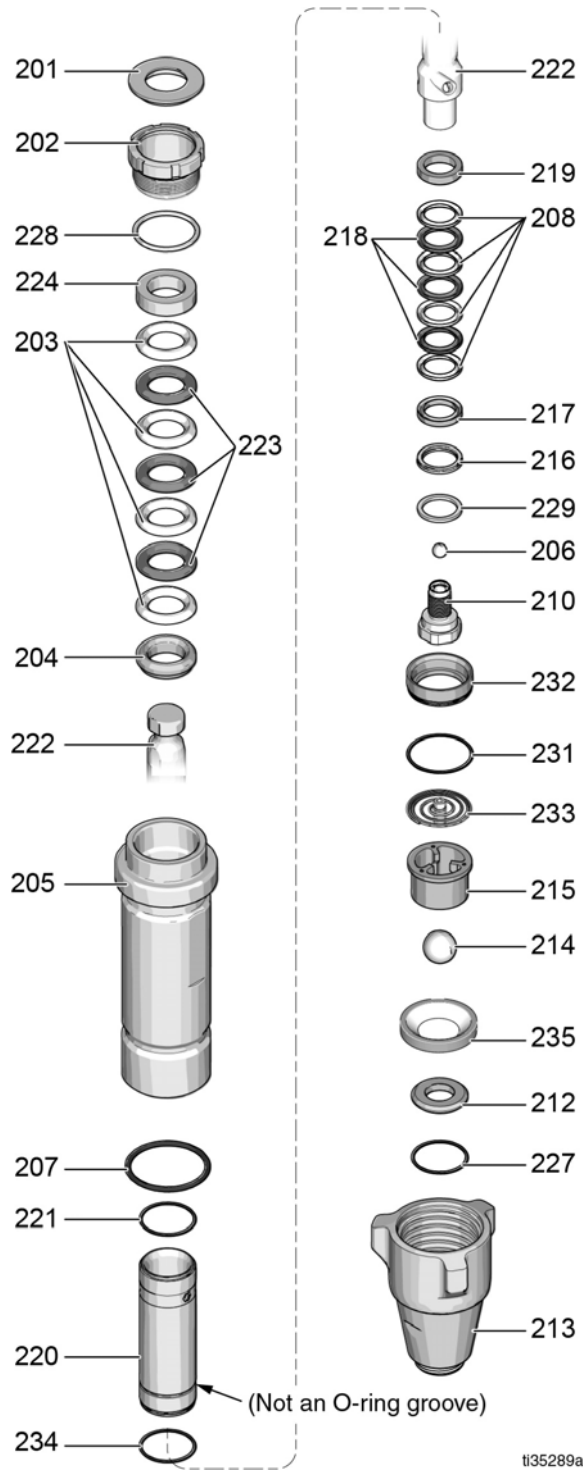
1095/1595/Mark V/Mark VII ProContractor Parts List

Ref. Part	Description	Qty.	Ref. Part	Description	Qty.
5	16C975 PLATE, pivot	1	77	16X203 CLIP, drain line	1
6	15C753 SCREW, mach, hex wash hd	5	83	24V088 HOUSING, bearing; <i>includes</i> 7, 12, 14, 15, 24, 31, 55, 56, 77, 108, 117	1
7	105510 WASHER, lock	2			
8	15E891 CLIP, retaining	2	84	MOTOR, electric; <i>includes</i> 126, 127	1
10	156306 WASHER, flat	2			
11	119509 WHEEL, pneumatic	2	257187	1095/Mark V 230V/Mark V Japan	
12	106115 WASHER, lock (hi-collar)	4			
14	17E789 SCREW, cap, socket head	4	257188	1595/Mark V 120V/UK Mark V/Mark VII	
15	101550 SCREW, cap, sch	2			
16	121311 FITTING, connector	1	85	24V085 ROD, connecting	1
17	276974 CAP, leg	2	87	241920 DEFLECTOR, threaded	1
18	260212 SCREW, hex washer hd	2	89	287290 GEAR, combination; <i>includes</i> 28, 30	1
19	PACKING, o-ring	1			
	107505 1095/1595				
	102982 Mark V/Mark VII		90	HOUSING, drive <i>includes</i> 6, 36, 90a	1
22	116038 WASHER, wave spring	2			
23	117791 SCREW, cap tri lobe	2	287294	1095 120V/Mark V Japanese	
24	111040 NUT, lock, insert	6	287295	1095 230V/1595/Mark V 25M417 Mark VII	
25	16X833 FITTING, quick disconnect, (1095/1595 only)	1	90a	194173 WASHER, race, thrust	1
27	120583 NUT, hand (1095/1595 only)	1	91	PUMP, displacement; <i>includes</i> 41, 76, 109	1
28	114672 WASHER, thrust	2			
29	278083 GUIDE, Hose, Ultra Platinum	1	17H824	1095/1595 Models	
	24M197 GUIDE, Hose, Mark VII	1	17H834	Mark VII	
30	114699 WASHER, thrust	1	17H833	Mark V Models	
31	118444 SCREW, mach, slot hex wash hd	5	93	244240 HOSE, drain; <i>includes</i> 87	1
35	117633 SCREW, slot hex wash hd	2	94	HOSE, coupled 3/8 x 15.75	1
36	116192 WASHER, thrust, 1595	1			
37	100057 SCREW, cap, hex hd	4	16X904	1095/1595	
39	24J081 TUBE, formed, ultra, platinum	1	24V029	Mark V; <i>includes</i> 19	
41	FITTING, pump, QD	1	105	16X698 HANGER, stand, cart	1
	16Y579 1095/1595		106	15C982 CAM, cart	2
	16X834 Mark V/Mark VII		107	114531 SCREW, mach, hex washer hd	4
48	15V573 STRAINER, (1-11 1/2 npsm)	1	108	16X385 PLATE, front, 5900 PCII	
51	24V024 COVER, drive, plastic, <i>Painted; includes</i> 31	1	109	118494 PACKING, o-ring	1
			110	17E925 LABEL, ProContractor Series	1
55	16C457 HANGER, pail	1	117	187437 LABEL, torque	1
56	16X324 CLAMP, pump, large	1	123	276980 GROMMET, cover	2
58	287282 SHIELD, motor, painted; <i>includes</i> 123, 124	1	124	119250 SCREW, shoulder	3
			126	15D088 FAN, motor	1
62	24Y426 FRAME, platinum, 1095/Mark V	1	127	115477 SCREW, mach, torx pan hd	1
			128▲	TAG, WARNING (not shown)	1
71	LABEL, brand, front	1	222385	English, French, Spanish	
	17E732 1095 Ultra		17A134	English, Chinese, Korean	
	17E734 1595 Ultra		17R476	English, Spanish, Portuguese	
	17E747 Mark V TexSpray		159	278075 BRACKET, wire	1
	17E740 1095 Ultimate		160	15Y118 LABEL, Made in the USA	1
	17E742 1595 Ultimate				
	17E749 Mark VII				
72	LABEL, brand, side	1			
	17E733 1095 Ultra				
	17E735 1595 Ultra				
	17E748 Mark V TexSpray				
	17E741 1095 Ultimate				
	17E743 1595 Ultimate				
	17E750 Mark VII				
76	248215 TUBE, intake; <i>includes</i> 109	1			

▲ Replacement safety labels, tags, and cards are available at no cost.

Parts - Pump 17H833, 17H834, 17H892

Ref.	Part	Description	Qty.
201†*	183171	SEAL, throat	1
202	193032	NUT, packing	1
203†*	193124	V-PACKING, throat, V-Max, UHMWPE, blue	4
204†*	15C989	GLAND, male, throat	1
205	17H871	CYLINDER, pump	1
	17H872	Model 17H833	
	17H872	Model 17H834	
	17H894	Model 17H892	
206†*	124249	BALL, check (Ceramic)	1
207	156633†	PACKING, o-ring	1
	160325*	Model 17H833	
	160325*	Model 17H834, 17H892	
208†*	128779	V-PACKING, piston, V-MAX, UHMWPE, blue	4
210	24U993	VALVE, piston	1
212	244571	KIT, seat, carbide	1
	24N013	Model 17H833 <i>includes 214, 227</i>	
	24N013	Model 17H834, 17H892 <i>includes 214, 227, 233</i>	
213	196753	VALVE, intake (foot)	1
	15A303	Model 17H833	
	15A303	Model 17H834, 17H892	
214	17Y533†	BALL, check, inlet	1
	17R046*	Model 17H833 (Ceramic)	
	17R046*	Model 17H834, 17H892 (Ceramic)	
215	17Y280	GUIDE, ball	1
	17Y281	Model 17H833	
	17Y281	Model 17H834, 17H892	
216†*	118504	WIPER, piston	1
217†*	183185	GLAND, female, piston	1
218†*	128296	V-PACKING, brown, piston	3
219†*	183178	GLAND, male, piston	1
220	257031	SLEEVE, cylinder	1
221†*	107098	O-RING, ptf	1
222	17H882	ROD, piston	1
	17H884	Model 17Y833, 17Y834	
	17H884	Model 17H892	
223†*	183175	V-PACKING, leather, throat	3
224†*	15C990	GLAND, female, throat	1
227	108526†	O-RING, ptf	1
	107098*	Model 17Y833	
	107098*	Model 17H834, 17H892	
228†*	C20987	WASHER, backup	1
229†*	15C998	O-RING (Models 17H834, 17H892 only)	1
231*	17E793	SPACER, sleeve (Models 17H834, 17H892 only)	1
232	16M291	SPACER, sleeve (Models 17H834, 17H892 only)	1
233	24E027	SPRING, intake, ball (Models 17H834, 17H892 only)	1
234†*	17E792	O-RING, FX90	1
235	17Y287	SEAL, ball guide	1
	17Y288	Model 17H833	
	17Y288	Models 17H834, 17H892	



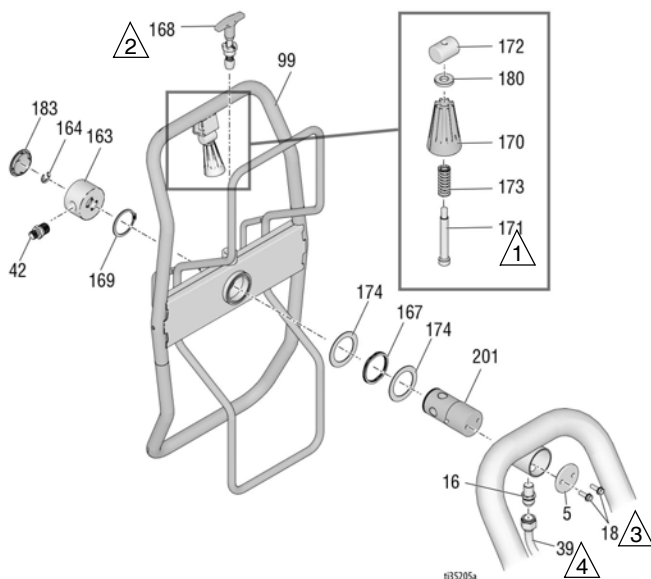
t135289a

† These parts are also included in Repair Kit 17H850 (ceramic balls), which may be purchased separately.
 * These parts are also included in Repair Kit 17H851 (ceramic balls), which may be purchased separately.

Diagrams and Parts

QuikReel

Ref.	Torque
△1	130-150 in-lb (14.6 - 16.9 N•m)
△2	25-35 ft-lb (33.8 - 47.4 N•m)
△3	120-130 in-lb (13.5 - 14.6 N•m)
△4	38-42 ft-lb (51.5 - 56.9 N•m)

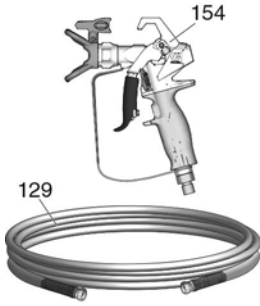


QuikReel Parts List

Ref. Part	Description	Qty.	Ref. Part	Description	Qty.
5	16C975 PLATE, Pivot Mount	1	163	24B248 CAP, swivel, complete	1
16	121311 FITTING, Connector, NPT x JIC	1	164	122347 RING, retaining, external	1
18	260212 SCREW, Hex Washer HD	2	167	122534 SPRING, wave	1
39	24V095 695/795 Models 24J081 1095/Mark V Models 16M441 Mark X	1	168	24E400 PIN, pop, lock out	1
42	16M441 Mark X ADAPTER	1	169	122524 RING, retaining, external	1
99	164672 695/795/1095/1595 196178 Mark IV/Mark V 159239 Mark VII/Mark X 24B691 REEL, Hose, ultra	1	170	278085 HANDLE, swivel	1
			171	122518 PIN	1
			172	15X618 NUT, pin	1
			173	122542 SPRING	1
			174	122607 WASHER, flat	2
			180	122669 WASHER	1
			183	122787 CAP	1
			201	24E016 TUBE, Hose Reel, Pivot	1

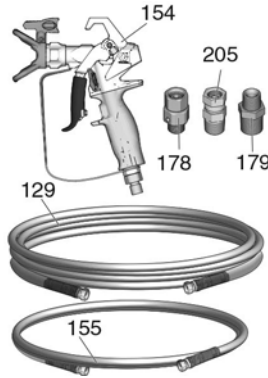
Spray Gun and Hose

695-1595 Models

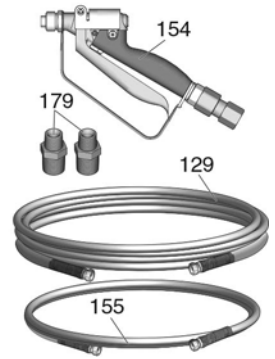


t134939b

Mark IV-Mark VII Models



Mark X Models

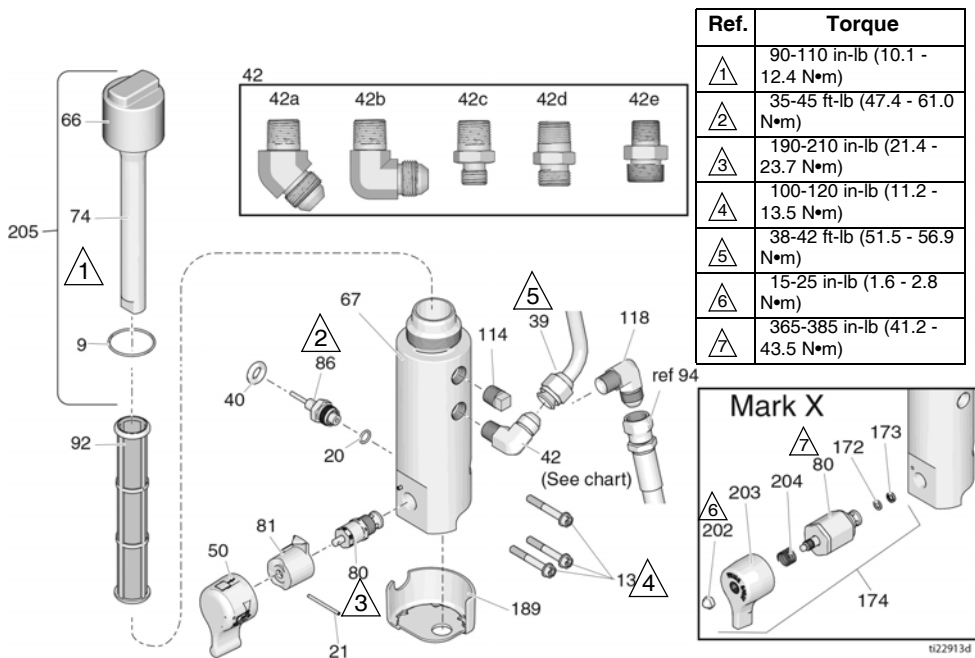


Spray Gun and Hose Parts List

Ref. Part	Description	Qty.
129	HOSE, coupled	
240794	Ultra, 1/4" x 50'	1
826079	Ultimate, 1/4" x 50'	1
245225	Mark IV/Mark V, 3/8" x 50'	1
278499	Mark VII/Mark X, 1/2" x 50'	1
154	SPRAY GUN	
17Y042	Ultra, North America	1
17Y044	Ultra, Asia	
17Y043	Ultra, Europe	
826252	695/795/1095/1595 Ultimate	1
241705	Mark V/Mark VII	1
246468	Mark IV	1
245820	Mark X	1
155	HOSE, whip	
241735	Mark IV/Mark V, 1/4" x 3'	1
191239	Mark VII/Mark V, 3/8" x 11'	1
178	189018 SWIVEL	1
179	BUSHING	
110476	Mark IV/Mark V	1
159239	Mark VII	1
159239	Mark X	2
205	110476 ADAPTER (Mark VII only)	1

Diagrams and Parts

Filter

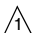

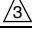
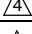
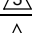
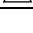


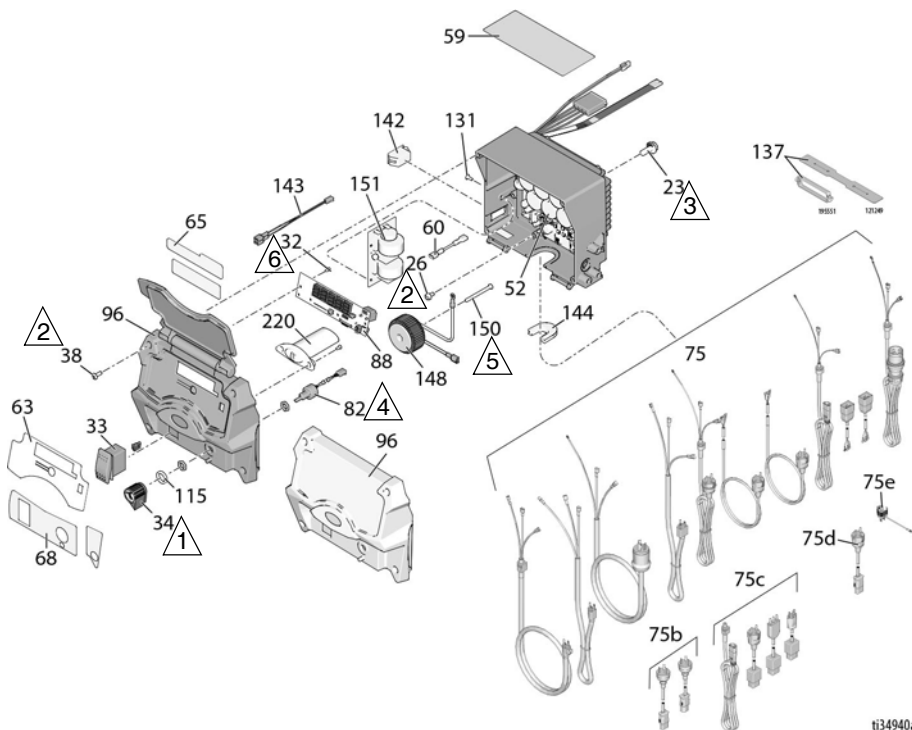
Filter Parts List

Ref. Part	Description	Qty.	Ref. Part	Description	Qty.
9	117285 PACKING, o-ring	1	24A382	Standard series	
13	16U013 SCREW, cap, socket head	3	86	243222 TRANSDUCER, pressure control; includes 20	1
20	111457 PACKING, o-ring	1	92	244071 FILTER, fluid	1
21	15C972 PIN, grooved	1		244067 30 mesh	
39	24V095 TUBE, formed	1		244068 60 mesh, original equipment	
	24J081 695/795 Models			244069 100 mesh	
	24J081 1095/Mark V Models			244069 200 mesh	
	16M441 Mark X		114	104813 PLUG, pipe, 3/8	1
40	121889 GROMMET, transducer	1	118	125926 FITTING, elbow	1
42	FITTING		172	193709 SEAT, valve	1
42a	122533 1095/1595/Mark V/Mark VII (ProContractor series)	1	173	193710 SEAL, seat, valve	1
42b	125926 695/795/Mark IV/Mark X (ProContractor series)	1	174	245103 KIT, repair, valve, Mark X; includes 80, 172, 173, 202, 203, 204	1
42c	164672 695/795/1095/1595 (Standard and IronMan series)	1	189	17A197 GUARD, base, filter (ProContractor/IronMan Series)	
42d	196178 Mark IV/Mark V (Standard and IronMan Series)	1		202 116424 NUT, Mark X	1
42e	183285 Mark VII/Mark X (Standard and IronMan Series)	1	203	15G563 HANDLE, valve, Mark X	1
50	24E234 Standard Series		204	114708 SPRING, compression, Mark X	1
	17E680 CAP, filter	1	205	287285 KIT, repair, cap, filter includes 9, 66, 74	
67	16T543 BASE, filter	1	206	115523 GAUGE, pressure (not shown)	1
74	15C766 TUBE, diffusion	1	207	FITTING, tee swivel (not shown)	
80	24B156 VALVE, prime, HD	1		119783 695/795/1095/1595	1
	287879 VALVE, prime, Mark X	1		127518 Mark IV, Mark V, Mark VII, Mark X	1
81	24E234 Standard Series		208	FITTING (not shown)	
	17E680 CAP, filter	1		162453 695/795/1095/1595	1
	16T543 BASE, filter	1		196178 Mark IV, Mark V	1
	15C766 TUBE, diffusion	1		183285 Mark VII, Mark X	1
	24B156 VALVE, prime, HD	1			
	287879 VALVE, prime, Mark X	1			
	24E234 Standard Series				
	17E680 CAP, filter	1			
	16T543 BASE, filter	1			
	15C766 TUBE, diffusion	1			
	24B156 VALVE, prime, HD	1			
	287879 VALVE, prime, Mark X	1			
	24E234 Standard Series				
	17E680 CAP, filter	1			
	16T543 BASE, filter	1			
	15C766 TUBE, diffusion	1			
	24B156 VALVE, prime, HD	1			
	287879 VALVE, prime, Mark X	1			
	24E234 Standard Series				
	17E680 CAP, filter	1			
	16T543 BASE, filter	1			
	15C766 TUBE, diffusion	1			
	24B156 VALVE, prime, HD	1			
	287879 VALVE, prime, Mark X	1			

Diagrams and Parts

Control Box Diagram

Ref.	Torque
	10-15 in-lb (1.1 - 1.7 N•m)
	40-45 in-lb (4.5 - 5.0 N•m)
	200-230 in-lb (22.6 - 25.9 N•m)
	30-35 in-lb (3.3 - 3.9 N•m)
	15-20 in-lb (1.7 - 2.2 N•m)
	2-3 in-lb (0.2 - 0.4 N•m)



ti34940a

Control Box Parts List

Ref. Part	Description	Qty.	Ref. Part	Description	Qty.
23	117791 SCREW, cap, flange head	2	82	256219 POTENTIOMETER, assembly	1
26	114391 SCREW, grounding	1	88	16Y496 DISPLAY	1
32	115522 SCREW, mach, pnh (ProContractor/IronMan series)	3	96	COVER, control	1
33	116752 SWITCH, rocker, ON/OFF	1	17H886	With Display; <i>includes 32, 38, 63, 65, 68, 88, 196</i>	
	15D527 SWITCH, rocker, Mark X	1	17H887	Without Display; <i>includes 38, 63, 68, 196</i>	
34	116167 KNOB, potentiometer	1	115	15C973 GASKET	1
38	16V095 SCREW, #10, taptite phil	4	131	16T482 RIVET, snap	2
52	CONTROL, board <i>includes 23, 26, 60, 131, 142, 144</i>	1	137	RETAINER, plug adapter	1
	25N545 120V Models		195551	695/795/1095/Mark IV/Mark V	
	25N546 240V Models		121249	Mark VII/Mark X Models	
59▲	LABEL, warning	1	142	SWITCH/PLUG	
	16T784 North America	1	16T483	695/795/1095/Mark IV/Mark X, North America (plug)	1
	15G596 Europe	1	126029	Mark VII/Mark X Models (10/16 amp)	1
	16Y762 Asia/ANZ	1	120059	120059 120V (15/20 amp)	
	16Y761 Japan	1	143	15G935 CONNECTOR, electrical (1595/Mark V)	1
60	16T541 JUMPER WIRE	1	144	STRAIN RELIEF	
63	17E725 LABEL, control box cover, ultra (with display)	1	16T546	695/795/1095/Mark IV/Mark V International Models	1
	17E726 LABEL, control box cover, ultra (without display)	1	16T547	695/795/1095/Mark V, Domestic Models	1
65	17E724 LABEL, lid, Ultra (with display)	1	16T547	695/795/1095, Japanese Models	1
68	17E723 LABEL, control	1	16T544	Mark VII/Mark X International Models	1
	16Y786 LABEL, control (Standard series)	1	116171	1595/Mark V/Mark X, North American Models	1
75	CORD, power		116171	Mark V Japanese Models	1
	17E804 120V Models, 695, 795, 1095, Mark IV	1	145	117745 BUSHING, strain relief (Mark VII/Mark X, International Models)	1
	17E804 Japanese Models 695, 795, 1095	1	148	24V030 KIT, repair, coil; <i>includes 150</i>	1
	17E805 120V Models, 1595, Mark V	1	150	16U215 SCREW, machine, flat head	1
	17E805 Japanese Models, Mark V	1	151	BOARD, filter	
	17E806 Mark X NEMA L6-30	1	25N516	230V International Models	1
	17E807 120V CSA Models, 1595, Mark V	1	25N517	110V International Models	1
	17E808 EU CEE 7/7	1	25N518	Mark X International Models	1
	17E809 Mark VII EU CEE 7/7	1			
	17E810 Mark X EU CEE 7/7	1			
	17E811 EU Multicord	1			
	17E812 Mark VII Multicord	1			
	17E813 Mark X Multicord	1			
	17E814 UK	1			
75b	China/Australia				
	242005 695/795/1095/Mark IV/Mark V	1			
	17A242 Mark X	1			
75c	Italy/Denmark/Switzerland				
	287121 695/795/1095/Mark IV/Mark V	1			
	253103 Mark VII/Mark X Models	1			
75d	242001 EU CEE 7/7	1			
75e	244285 Japan	1			

▲ Replacement safety labels, tags, and cards are available at no cost.

695-1095/Mark IV-VII 110V/230V Models

